

# TC-K81

US Model  
Canadian Model  
AEP Model  
UK Model  
E Model

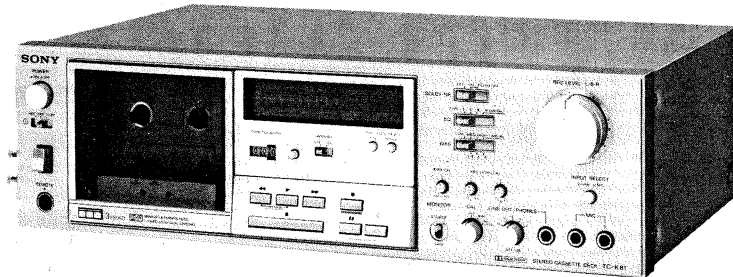


Photo: AEP, UK, US, E model

'Dolby' and the double-D symbol are the trade marks of Dolby Laboratories. Noise reduction system manufactured under license from Dolby Laboratories.

## STEREO CASSETTE DECK

### SPECIFICATIONS

#### GENERAL

**Power Requirements:** AEP model  
220V ac ~, 50/60 Hz  
(240V ac ~ adjustable by authorized Sony personnel)  
UK model  
240V ac ~, 50/60 Hz  
(220V ac ~ adjustable by authorized Sony personnel)  
US, Canadian model  
120V ac, 60 Hz  
E model  
110, 120, 220 or 240V ac ~,  
50/60 Hz


**Power Consumption:** 28W (AEP, UK, E model)  
26W (US, Canadian model)

**Dimensions:** Approx. 430(w) x 130(h) x 290(d) mm  
17(w) x 5<sup>1</sup>/<sub>8</sub>(h) x 11<sup>1</sup>/<sub>2</sub>(d) inches  
(AEP, UK, US, E model)  
Approx. 460(w) x 130(h) x 290(d) mm  
18<sup>1</sup>/<sub>8</sub>(w) x 5<sup>1</sup>/<sub>8</sub>(h) x 11<sup>1</sup>/<sub>2</sub>(d) inches  
(Canadian model)  
including projecting parts and controls


**Weight:** Approx. 6.3kg, 13 lb 14 oz (AEP, UK, US, E model)  
Approx. 7kg, 15 lb 7 oz (Canadian model)

— Continued on page 2 —

#### SAFETY RELATED COMPONENT WARNING!!

COMPONENTS IDENTIFIED BY SHADING AND MARK  ON THE SCHEMATIC DIAGRAMS, EXPLODED VIEWS AND IN THE PARTS LIST ARE CRITICAL TO SAFE OPERATION. REPLACE THESE COMPONENTS WITH SONY PARTS WHOSE PART NUMBERS APPEAR AS SHOWN IN THIS MANUAL OR IN SUPPLEMENTS PUBLISHED BY SONY.

#### ATTENTION AU COMPOSANT AYANT RAPPORT À LA SÉCURITÉ!

LES COMPOSANTS IDENTIFIÉS PAR UNE TRAME ET UNE MARQUE  SUR LES DIAGRAMMES SCHEMATIQUES, LES VUES EXPLOSÉES ET LA LISTE DES PIÈCES SONT CRITIQUES POUR LA SÉCURITÉ DE FONCTIONNEMENT. NE REMPLACER CES COMPOSANTS QUE PAR DES PIÈCES SONY DONT LES NUMÉROS SONT DONNÉS DANS CE MANUEL OU DANS LES SUPPLÉMENTS PUBLIÉS PAR SONY.

Tape Transport Mechanism Type	TCM-100V2	
	Specification	Test Equipment
Forward Torque	28–43 g·cm (0.39–0.59 oz·inch)	Sony torque meter CO-102C
Back Tension Torque	2.5–4.5 g·cm (0.04–0.06 oz·inch)	Sony torque meter CO-102C
Pinch Roller Pressure	<ul style="list-style-type: none"> <li>• Take-up Side 280–380 g (10–13 oz)</li> <li>• Supply Side 180–280 g (7–10 oz)</li> </ul>	Spring scale or tension gauge

# SONY

## SERVICE MANUAL

## TAPE RECORDER SECTION

**Recording System:** 4-track 2-channel stereo

**Fast-forward and Rewind Time:** Approx. 80 sec. (with C-60)

**Frequency Response:** DOLBY NR OFF  
 AEP, UK, E model

- With TYPE IV cassette (Sony METALLIC)
  - 20–20,000 Hz
  - 3Q–18,000 Hz ( $\pm 3$  dB)
  - 30–13,000 Hz ( $\pm 3$  dB, 0 VU recording)
  - 30–18,000 Hz (DIN)
- With TYPE III cassette (Sony Fe-Cr)
  - 20–20,000 Hz
  - 30–18,000 Hz ( $\pm 3$  dB)
  - 30–18,000 Hz (DIN)
- With TYPE II cassette (Sony CD- $\alpha$ )
  - 20–19,000 Hz
  - 30–17,000 Hz ( $\pm 3$  dB)
  - 30–17,000 Hz (DIN)
- With TYPE I cassette (Sony BHF)
  - 20–17,000 Hz
  - 30–15,000 Hz ( $\pm 3$  dB)
  - 30–15,000 Hz (DIN)

US, Canadian model

- With TYPE IV cassette (Sony METALLIC)
  - 20–20,000 Hz
  - 30–18,000 Hz ( $\pm 3$  dB)
  - 30–13,000 Hz ( $\pm 3$  dB, 0 VU recording)
- With TYPE III cassette (Sony Fe-Cr)
  - 20–20,000 Hz
  - 30–18,000 Hz ( $\pm 3$  dB)
- With TYPE II cassette (Sony EHF)
  - 20–19,000 Hz
  - 30–17,000 Hz ( $\pm 3$  dB)
- With TYPE I cassette (Sony HFX)
  - 20–17,000 Hz
  - 30–15,000 Hz ( $\pm 3$  dB)

**Wow and Flutter:** 0.04% WRMS (NAB) } (AEP, UK, E model)  
 $\pm 0.12\%$  (DIN)

0.04% WRMS (US, Canadian model)

**S/N Ratio:** DOLBY NR OFF  
 AEP, UK, E model

- With TYPE III cassette (Sony Fe-Cr)
  - 60 dB at peak level (NAB)
  - 59 dB (DIN, 1975, rev.)
- With TYPE II cassette (Sony CD- $\alpha$ )
  - 58 dB at peak level (NAB)

US, Canadian model

- With TYPE III cassette (Sony Fe-Cr)
  - 60 dB at peak level
- With TYPE II cassette (Sony EHF)
  - 58 dB at peak level

DOLBY NR ON  
 Improved by 5 dB at 1 kHz, 10 dB above 5 kHz

**Total Harmonic Distortion:** 0.8% (with Sony Fe-Cr cassette)

**Bias Frequency:** 105 kHz

**Inputs:** Microphone inputs (phone jacks) . . . 2  
 sensitivity 0.25 mV ( $-70$  dB)  
 for a low-impedance microphone

Line inputs (phono jacks) . . . . . 2  
 sensitivity 77.5 mV ( $-20$  dB)  
 input impedance 50 k $\Omega$

**Outputs:** Variable line outputs (phono jacks) . 2  
 maximum output level 0.435 V ( $-5$  dB)  
 at load impedance 50 k $\Omega$   
 with LINE OUT level control at "0"  
 variable range of output level  
 $-5$  to  $-29$  dB (5 steps)  
 suitable load impedance more than  
 10k $\Omega$

Fixed line outputs (phono jacks) . . . 2  
 output level 0.435 V ( $-5$  dB)  
 at load impedance 50 k $\Omega$   
 Suitable load impedance  
 more than 10 k $\Omega$

Headphone output . . . . . 1  
 variable range of output level  
 $-20$  to  $-44$  dB (5 steps)  
 at load impedance 8  $\Omega$

0 dB = 0.775 V

### LED PEAK PROGRAM METERS

**Response Range:**  $-40$  dB to  $+8$  dB

**Frequency Response:** 20 Hz  $-20,000$  Hz  $\pm 1.5$  dB

**Response Time:** 1 millisecond

**Decay Time**  
**(from 0 dB to  $-20$  dB):** 750 milliseconds

**Overshoot:** None

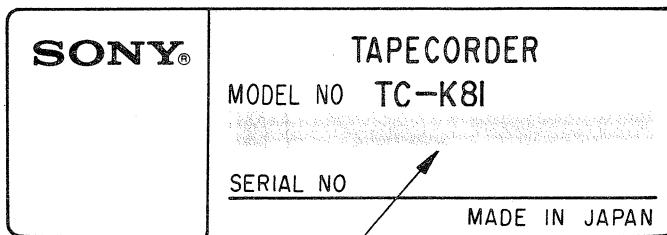
**Indicator Elements:** 16 elements for each channel

**SERVICING NOTE**

When the top cover is removed, the internal photo transistor may pick up stray light and shut the set off.

**MODEL IDENTIFICATION**

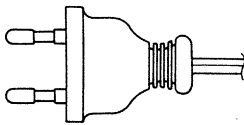
— Specification Label —



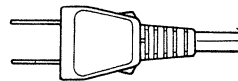
US, Canadian Model: AC 120V 60Hz 26W  
AEP model: AC 220V~ 50/60Hz 28W  
UK model: AC 240V~ 50/60Hz 28W  
E model: AC 110, 120, 220, 240V~ 50/60Hz 28W

— Power Cord —

E model: euro-plug 1-534-817-XX



E model: parallel-blade plug 1-551-473-31



### Handling Precautions for MOS ICs

Generally, the insulation resistance of the oxide layer in MOS IC structures is very high, and the oxide layer is very thin. Because of this, it is possible that the static voltages usually present on clothes and the human body will be enough to generate a potential difference across the insulator, high enough to cause a breakdown of the insulating layer.

The following precautions should be taken while handling these ICs.

(Particular care should be taken under conditions of low humidity.)

#### Precautions in Replacing MOS ICs

1. Store new ICs by inserting them into a urethane-polyester cushion (which is somewhat conductive), or wrapping it in aluminum foil, so that all the pins are at the same potential. (The ICs should be stored in that manner until mounted on the circuit board.)

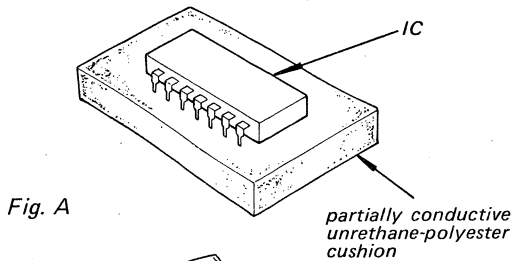


Fig. A

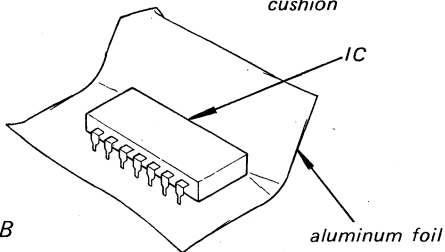


Fig. B

2. Check the soldering iron for possible power-line leakage current. Make sure that there is no leakage path by connecting an ohmmeter to the tip of the soldering iron and the plug as shown in Fig. C. If there is a leakage path, use some other soldering iron.

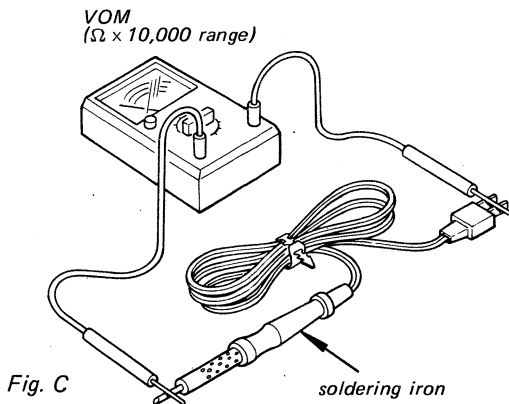


Fig. C

3. Equalize any potential difference between the clothes, the tools in use, the work bench, the set being worked on, and the packaged IC by touching them all in succession with the hands or a conductive wire or tool.
4. The following are effective methods for handling ICs that remove the potential difference across the oxide layer.
  - Use a paper clip modified by soldering in a wire braid insert.

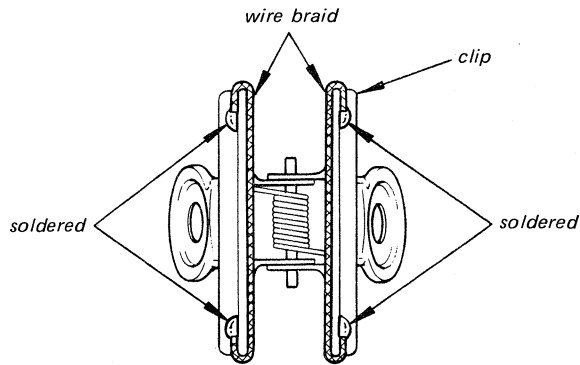


Fig. D

Make sure that there is no solder on the inside.

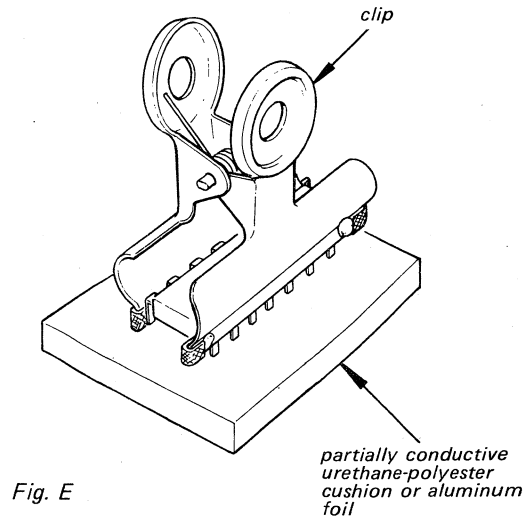


Fig. E

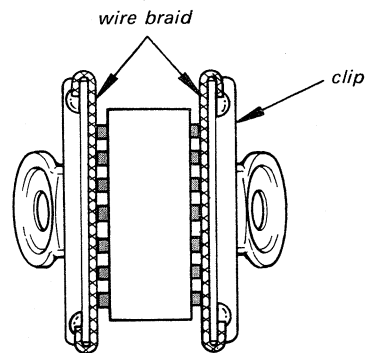


Fig. F

Make sure that all the pins are in contact with the wire braid (all the pins will then be at the same potential.).



- Take a short length of fine bare wire and wind it around the IC so that it shorts all the pins of the IC, while it is still in the urethane-polyester cushion or aluminum foil. This ensures that all the pins are at the same potential.

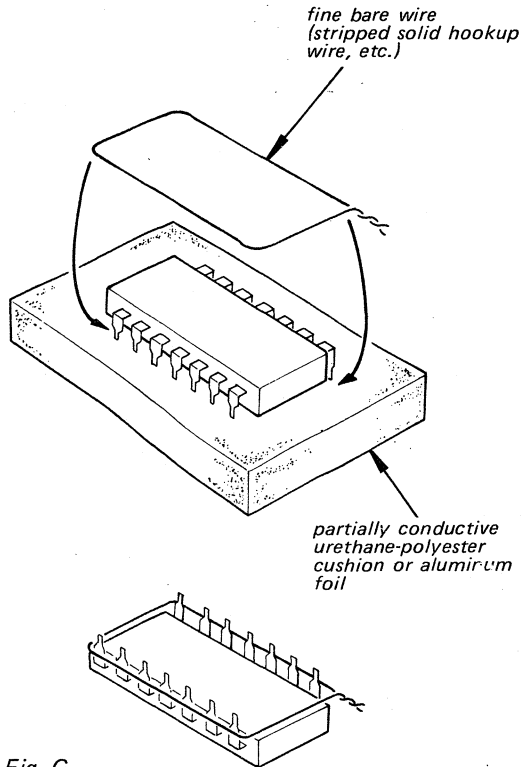


Fig. G

- When it is necessary to handle the IC with the fingers, do not touch any pin, and hold the IC at the ends of its plastic-package case as shown in Fig. H.

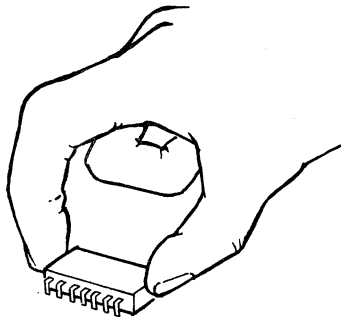


Fig. H

5. Method of Mounting

Insert the IC while holding it with the modified clip, and solder all the pins with the clip still shorting the pins. (Similarly, solder all the pins while the bare shorting wire is still wound around them.). Remove the clip or the bare shorting wire only after all the pins have been soldered.

Precaution while Checking C-MOS ICs

The C-MOS ICs (Complementary MOS) are MOS ICs that have their output sections made up of N-channel and P-channel push-pull stages to increase their speed of operation. If the output terminal of these ICs comes into contact with B+ or B- voltage, then the FET which is ON at that time will either become shorted or open.

This is valid for all the output sections that are connected together by the interconnections. Even the circuits that are physically separated (and not on the same board) can be destroyed simultaneously.

Example:

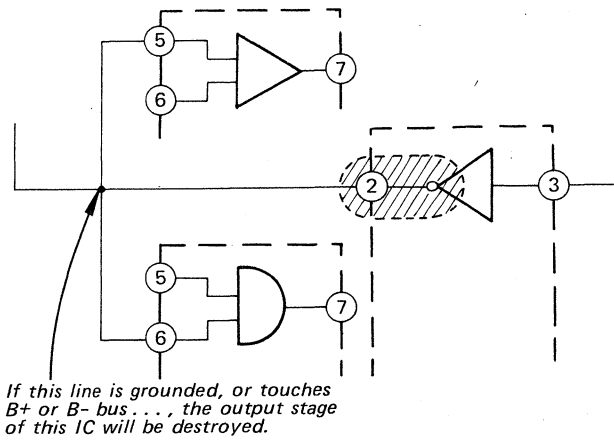
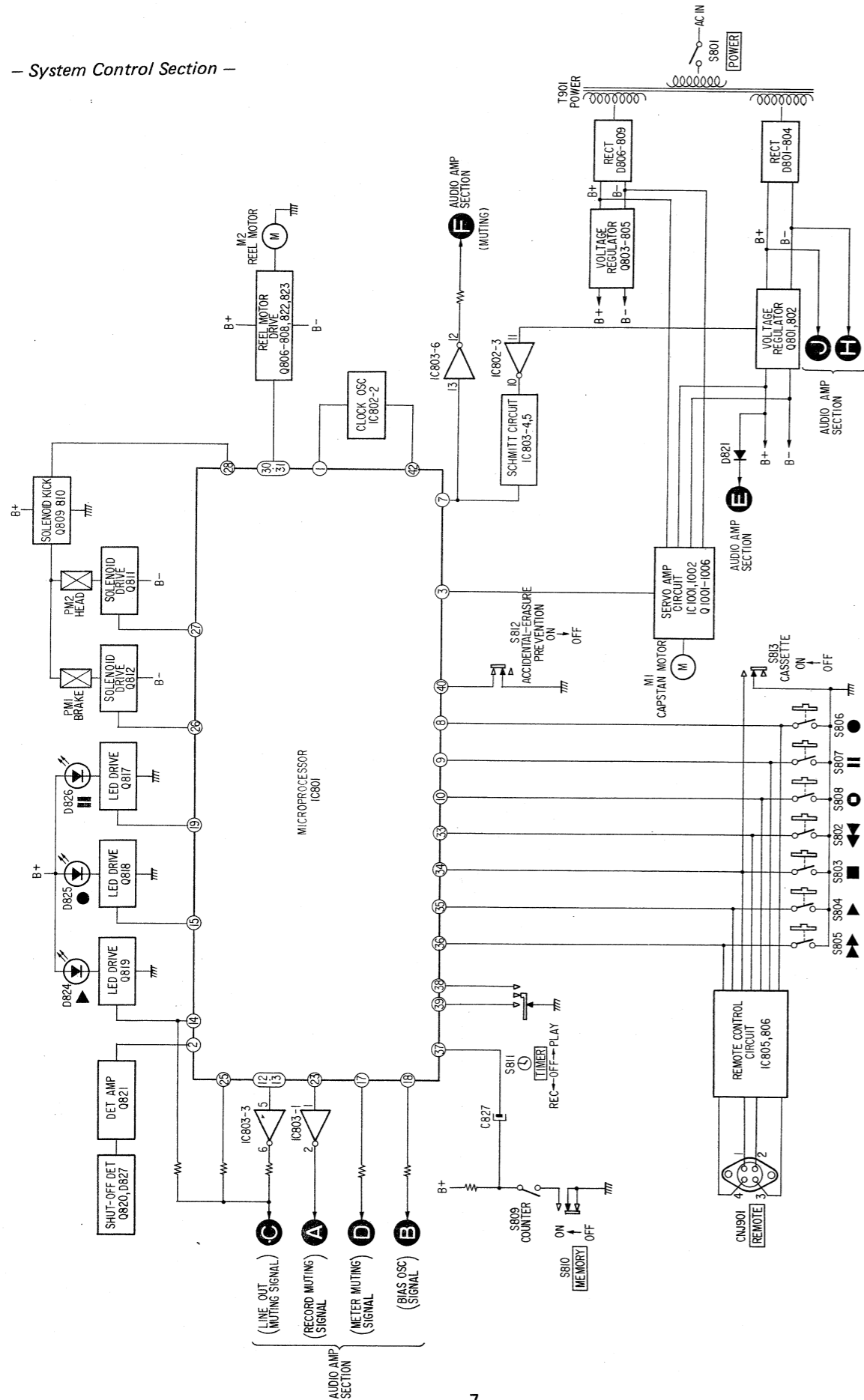


Fig. I



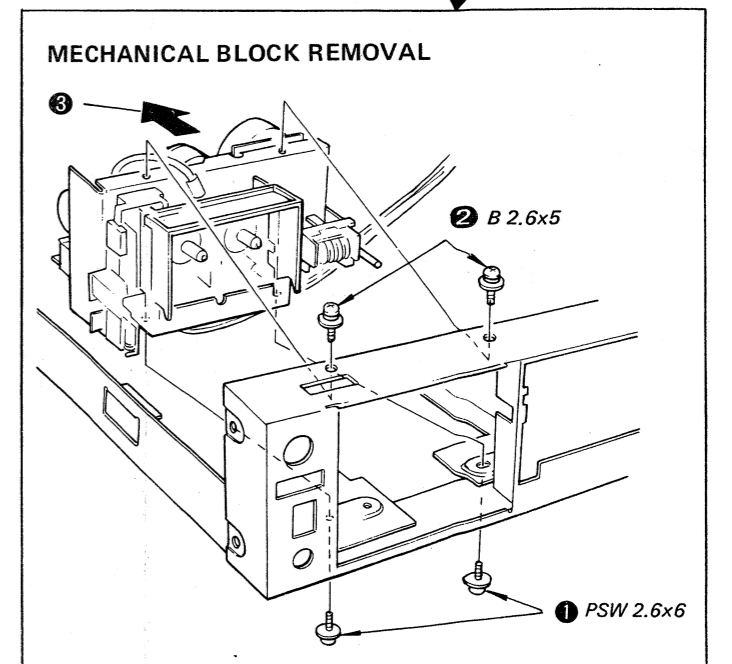
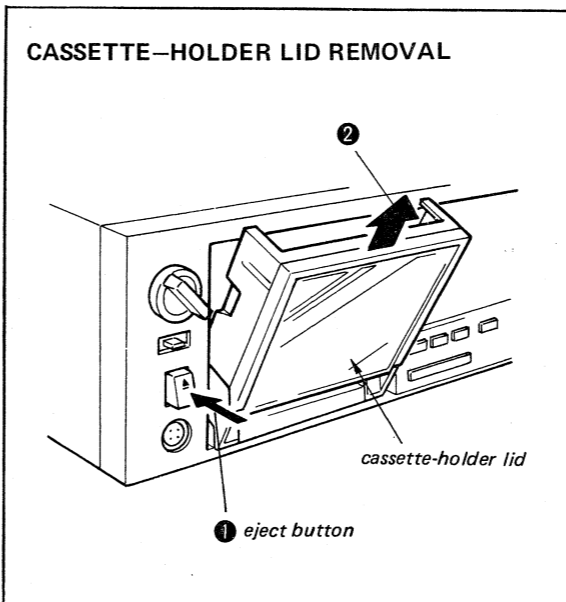
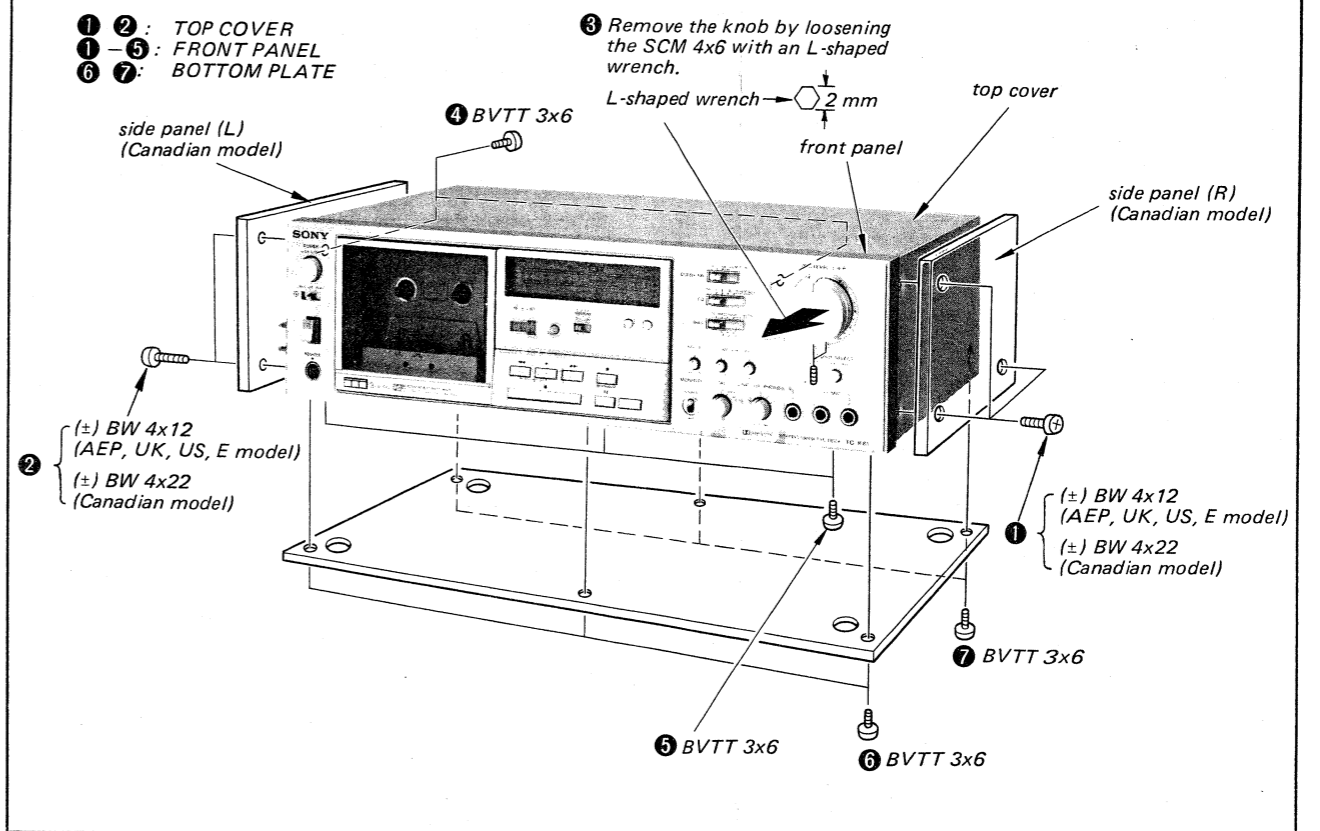
SECTION 2  
DISASSEMBLY

— System Control Section —



• Follow the disassembly procedure in the numerical order given.

TOP COVER/FRONT PANEL/BOTTOM PLATE REMOVAL



SECTION 3  
ADJUSTMENTS

3-1. MECHANICAL ADJUSTMENTS

PRECAUTION

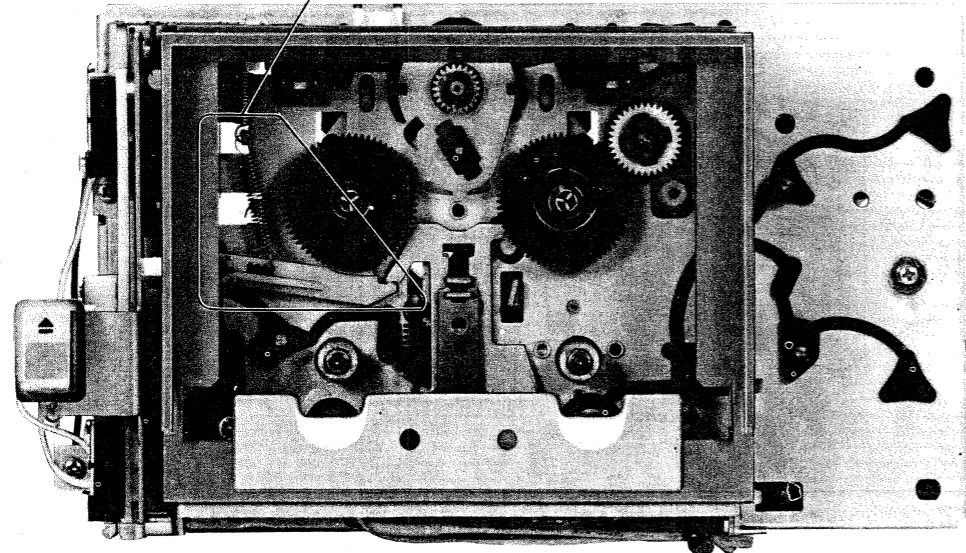
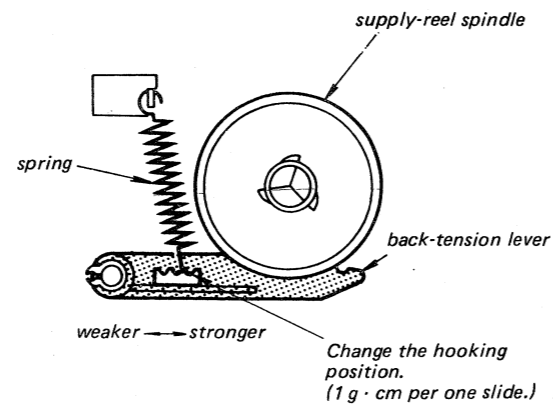
- Clean the following parts with a denatured-alcohol-moistened swab:
 

record/playback head	pinch rollers
erase head	rubber belts
capstans	idlers
- Demagnetize the record/playback head with a head demagnetizer.
- Do not use a magnetized screwdriver for the adjustments.
- After the adjustments, apply suitable locking compound to the parts adjusted.
- The adjustments should be performed with the rated power supply voltage unless otherwise noted.

Torque Measurement and Back Tension Torque Adjustment

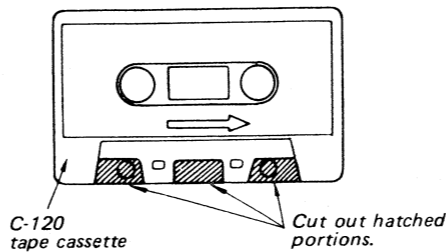
1.	Torque	Torque meter	Meter reading
	Forward	CQ-102C	28-43 g · cm (0.39-0.59 oz · inch)
	Back tension	CQ-102C	2.5-4.5 g · cm (0.04-0.06 oz · inch)

- If the specified back-tension torque is not obtained, change the hooking position.

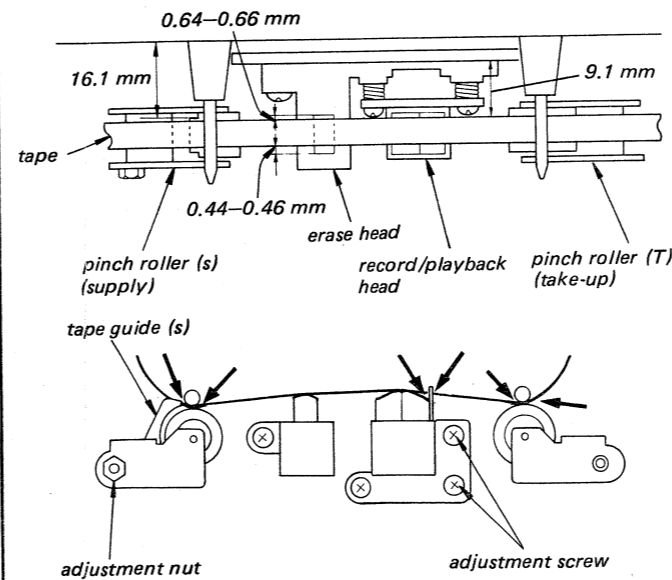


Head Height Adjustment

- Prepare an adjustment cassette as shown below.

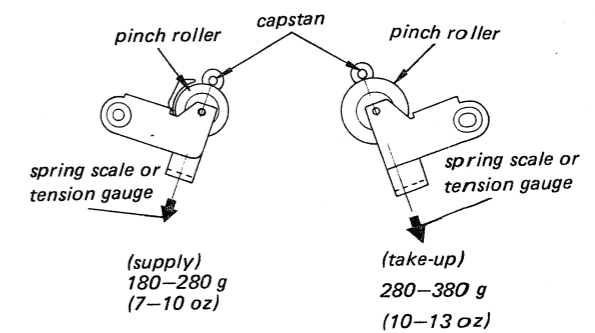


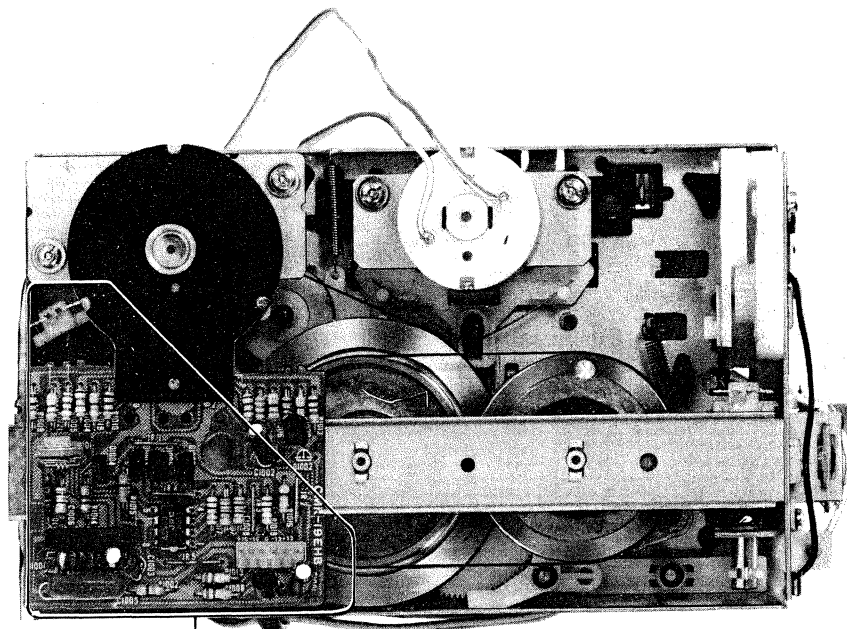
- In playback mode and viewing from the front, adjust the head heights to eliminate tape curl and tape twist at portions shown by arrows.



Pinch Roller Pressure Measurement  
- Forward Mode -

- 
- Slowly pull the pinch roller and read the spring scale or the tension gauge just when the pinch roller stops rotating.





**Brake Solenoid (PM1) Position Adjustment**

— Stop Mode —

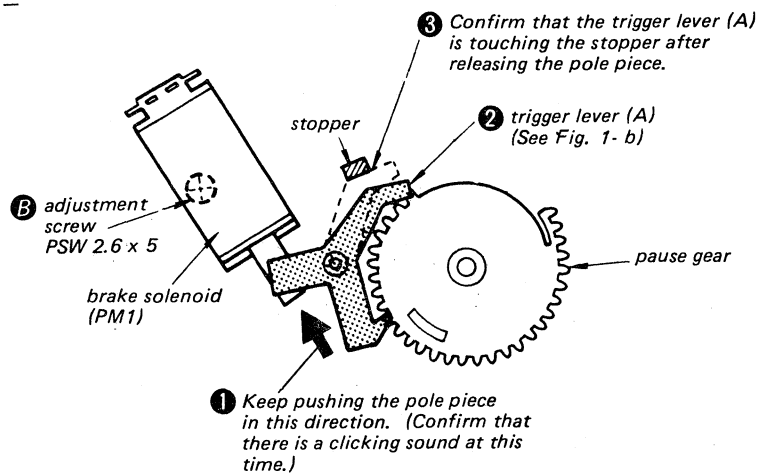


Fig. 1-a

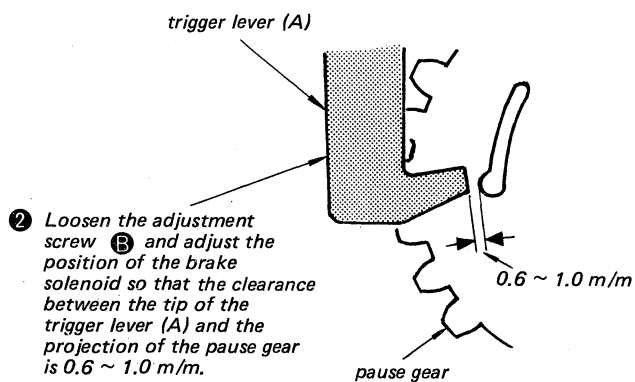
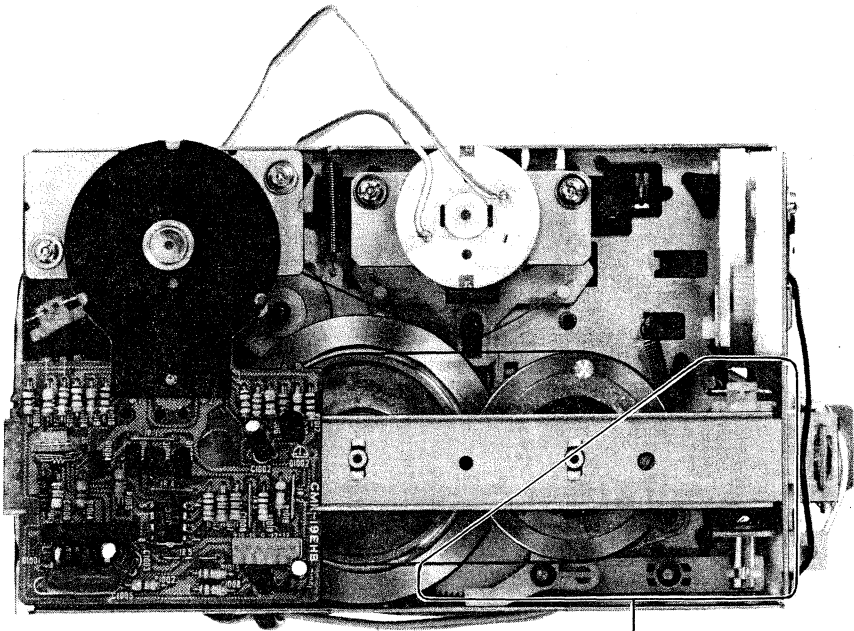


Fig. 1- b



**Head Solenoid (PM2) Position Adjustment**

– Stop Mode –

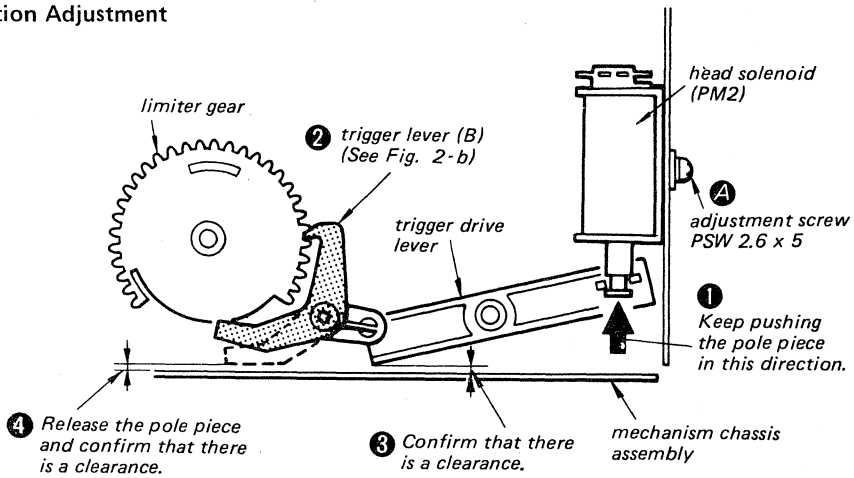


Fig. 2-a

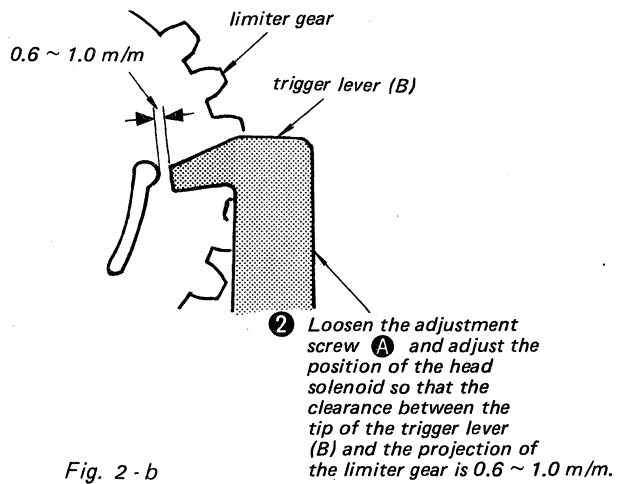


Fig. 2-b

### 3-2. ELECTRICAL ADJUSTMENTS

**Note:** The adjustment should be performed in the order given in this service manual. The adjustments should be performed for both L-CH and R-CH.

- Set the BIAS and EQ switches according to the tape as follows.

Tape	BIAS switch	EQ switch
CS-10	MED	TYPE I
CS-25	HIGH	TYPE II
CS-30	MED	TYPE III
CS-40	METAL	TYPE IV

- Switches and controls should be set as follows unless otherwise specified.

DOLBY NR switch:	OFF
EQ switch:	TYPE I
BIAS switch:	MED
MONITOR:	TAPE
CALIBRATION:	OFF
INPUT SELECT:	LINE

- Standard Record:

Deliver the standard input signal level to the input jack and set the REC LEVEL control to obtain the standard output signal level.

#### Standard Input Level

	MIC	LINE IN
source impedance	300 $\Omega$	10 k $\Omega$
input level	0.77 mV (-60 dB)	0.25 V (-10 dB)

#### Standard Output Level

	LINE OUT (FIXED)	HEAD-PHONES
load impedance	47 k $\Omega$	8 $\Omega$
output level	0.44 V (-5 dB)	77 mV* (-20 dB)

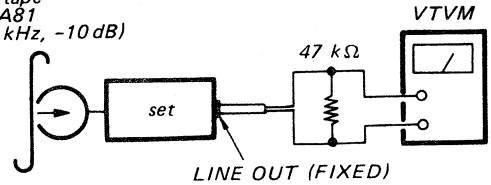
\* with HEADPHONES/LINE OUT level control at "10".

### Record/playback Head Azimuth Adjustment

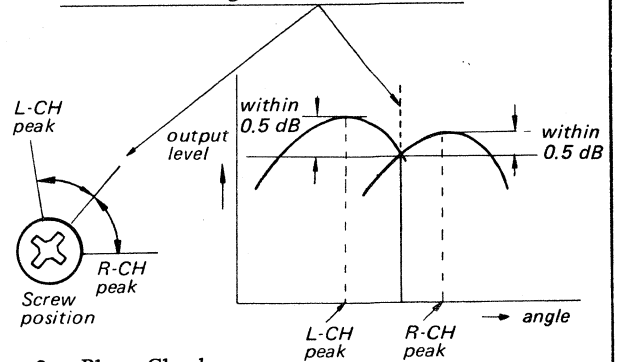
#### Procedure:

- Mode: playback

test tape  
P-4-A81  
(6.3 kHz, -10 dB)

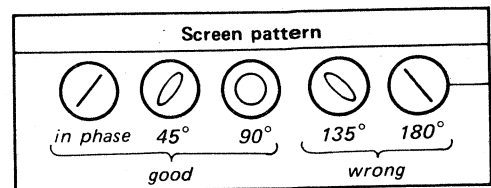
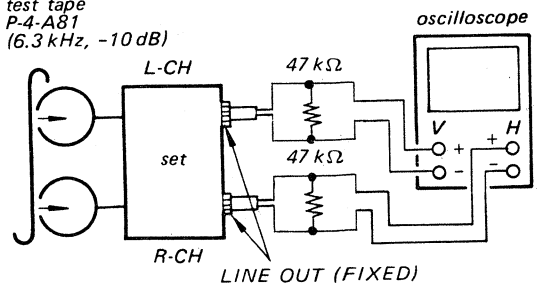


- Turn the adjustment screw for the maximum output levels. If these levels do not match, turn the adjustment screw until both of output levels match together within 0.5 dB.



- Phase Check  
Mode: playback

test tape  
P-4-A81  
(6.3 kHz, -10 dB)



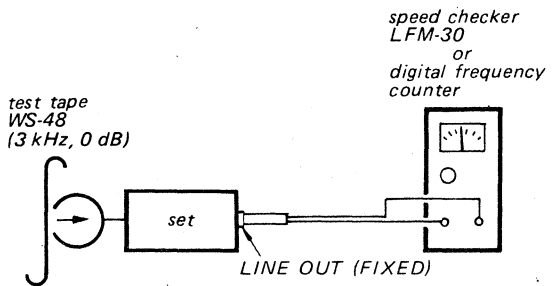
#### Adjustment Location:



**Tape Speed Adjustment**

**Procedure:**

Mode: playback



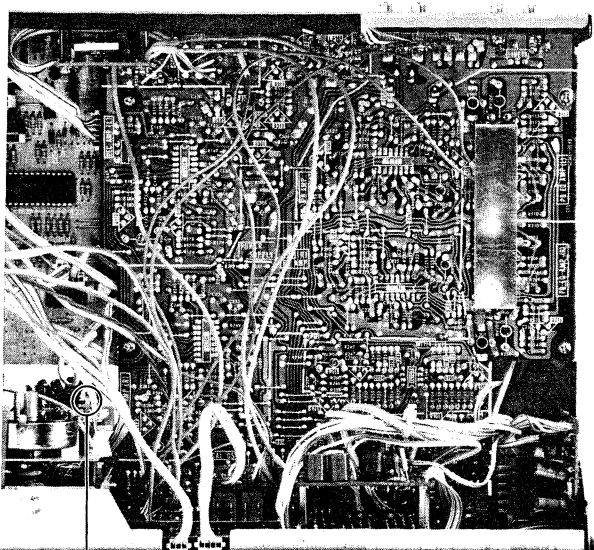
**Specification:**

Speed checker	Digital frequency counter
-0.7 to +0.7%	2,980 - 3,020 Hz

Frequency difference between the beginning and the end of the tape should be within 0.7% (20 Hz).

**Adjustment Location:**

- servo amp board -



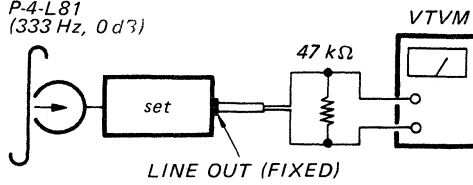
RV1001

**Playback Level Adjustment**

**Procedure:**

Mode: playback

test tape  
P-4-L81  
(333 Hz, 0 dB)



**Specification:**

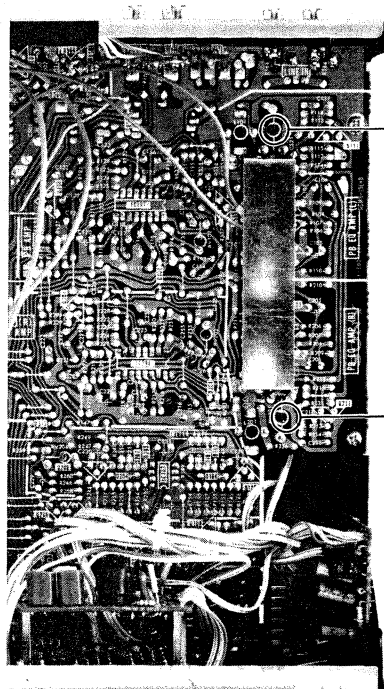
LINE OUT level: 0.52 - 0.59 V  
(-3.5 to -2.5 dB)

Level difference between channels:  
less than 0.5 dB

Check that LINE OUT level does not change in playback mode while changing the mode from playback to stop several times.

**Adjustment Location:**

- record/playback board -



RV101  
(L-CH)

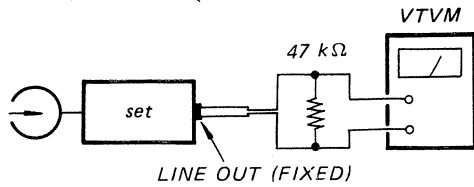
RV201  
(R-CH)



**Bias Trap Adjustment**

Procedure:

Mode: record (no-cassette loaded)

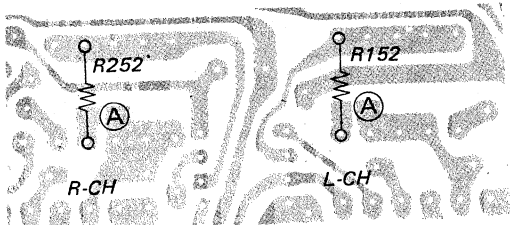
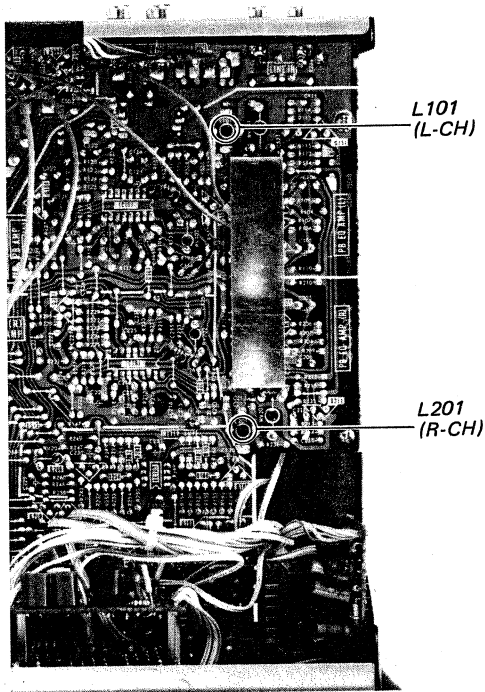


Specification:

LINE OUT level: less than 2.5 mV  
(less than -50 dB)

Adjustment Location:

- record/playback board -



**LED Peak Program Meter Calibration**

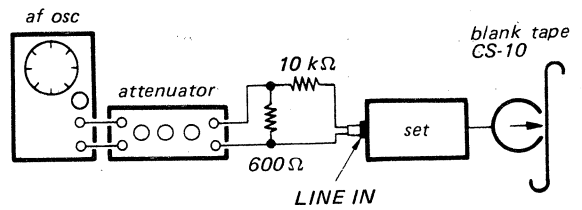
- Setting:

REC LEVEL control: standard record  
(See page 13.)

MONITOR switch: SOURCE

Procedure:

Mode: record



Slowly turn RV104 (L-CH) and RV204 (R-CH) and stop them just when the segments (◻◻ -2 dB) go out.

Specification:

LINE IN level	Indication
0.85 - 1.1 V (+1 to +3 dB)	The first segment from the right lights.
2.7 - 5.5 mV (-49 to -43 dB)	The second segment from the left goes out.

If the second segment from the left does not go out when the 2.7 mV (-49 db) LINE IN signal is applied, solder (A).

Adjustment Location:

- record/playback board -



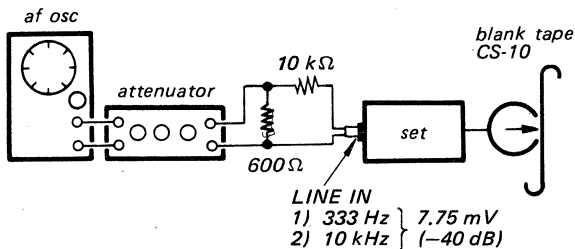
**Record Bias Adjustment**

**Setting:**

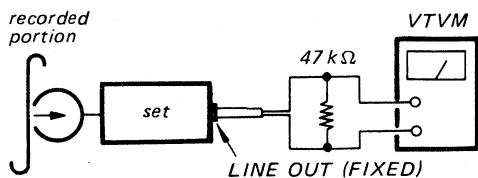
REC LEVEL control: standard record  
(See page 13.)

**Procedure:**

1. Mode: record



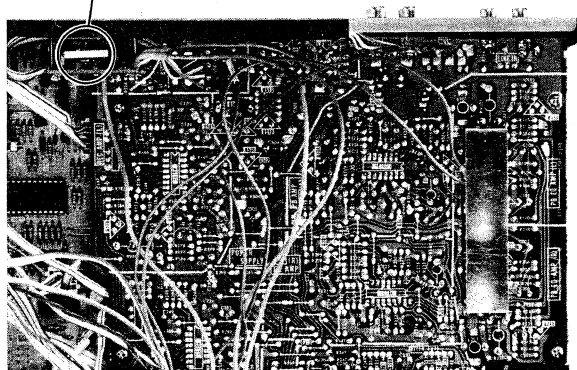
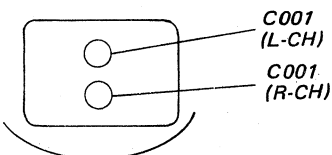
2. Mode: playback



Adjust C001 (L-CH) and C011 (R-CH) so that the 333 Hz and the 10 kHz signal levels become the same.

**Adjustment Location:**

- bias trimmer board -



**Record Level Adjustment**

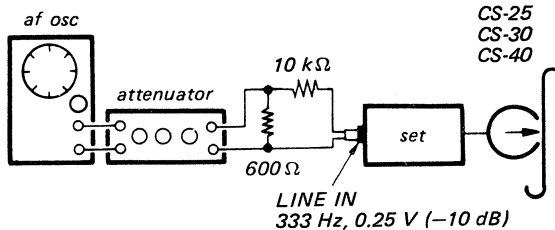
**Setting:**

REC LEVEL control: standard record  
(See page 13.)

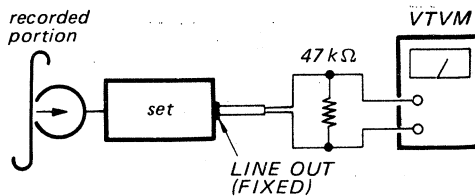
**Procedure:**

1. Mode: record

blank tape  
CS-10  
CS-25  
CS-30  
CS-40



2. Mode: playback

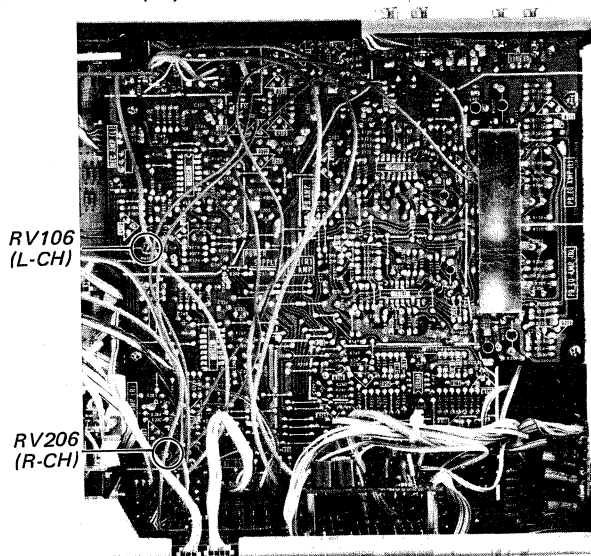


**Specification:**

Tape	LINE OUT level
CS-10	0.41 - 0.46 V (-5.5 to -4.5 dB)
CS-25 CS-30 CS-40	0.37 - 0.46 V (-6.5 to -4.5 dB)

**Adjustment Location:**

- record/playback board -







4-1. SCHEMATIC DIAGRAM — System Control Section —

Refer to page 19 for replacement semiconductors and page 25 for voltages and waveforms at the terminals of IC801.

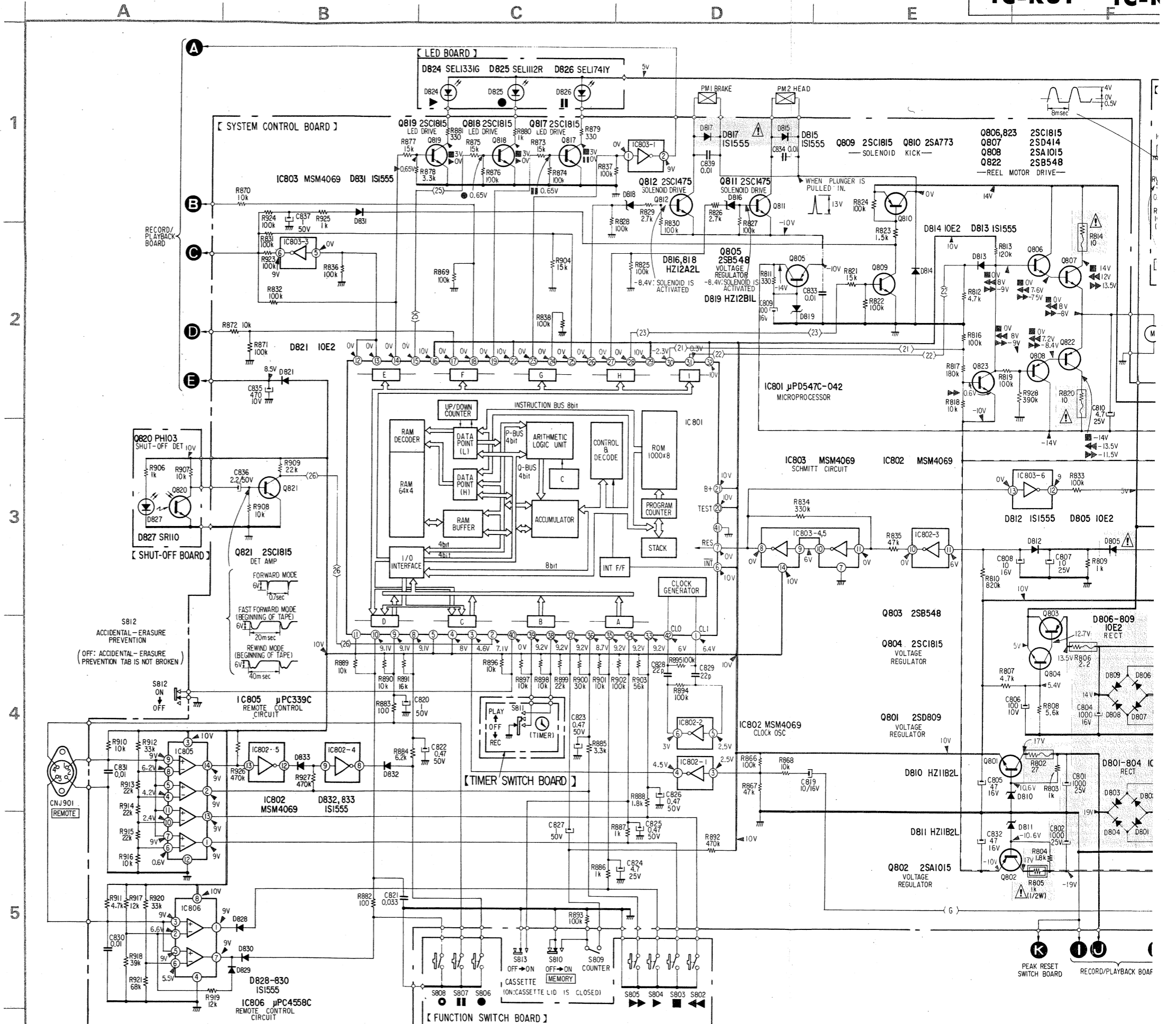
Note:

- All capacitors are in  $\mu\text{F}$  unless otherwise noted. p :  $\mu\text{F}$  50WV or less are not indicated except for electrolytics.
- All resistors are in ohms, 1/4W unless otherwise noted. k $\Omega$  : 1000 $\Omega$ , M $\Omega$  : 1000k $\Omega$
- : fusible resistor
- : nonflammable resistor.
- 1% indicates component tolerance.
- : B+ bus.
- : B- bus.
- : panel designation.
- : adjustment for repair.
- Voltages are dc with respect to ground unless otherwise noted.
- Readings are taken with a VOM (20 k $\Omega$ /V).
- no mark: STOP
- : FORWARD
- : FAST FORWARD
- : REWIND
- : RECORD
- : REC MUTE
- : PAUSE
- : STOP
- Voltage variations may be noted due to normal production tolerances.
- Switch

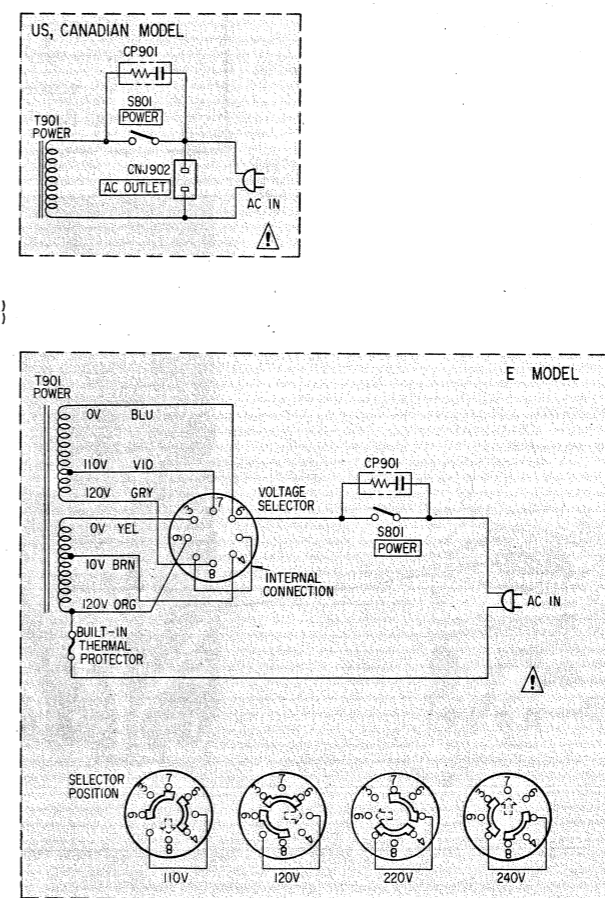
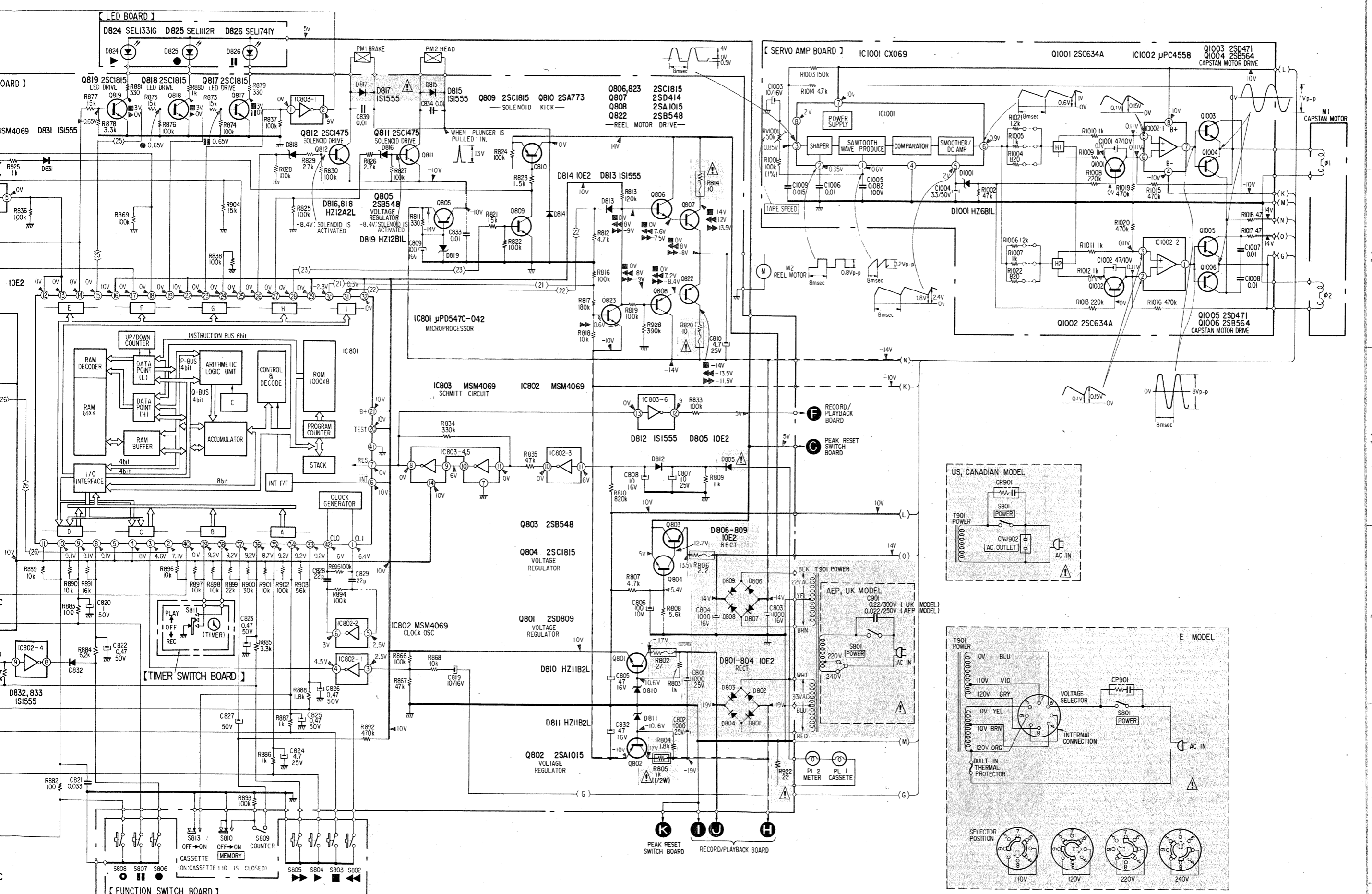
Ref. No.	Switch	Position
S801	POWER	OFF
S802	REWIND	OFF
S803	STOP	OFF
S804	FORWARD	OFF
S805	FAST FORWARD	OFF
S806	RECORD	OFF
S807	PAUSE	OFF
S808	REC MUTE	OFF
S812	ACCIDENTAL-ERASURE PREVENTION	ON
S813	CASSETTE	OFF

Note: The components identified by shading and mark are critical for safety. Replace only with part number specified.

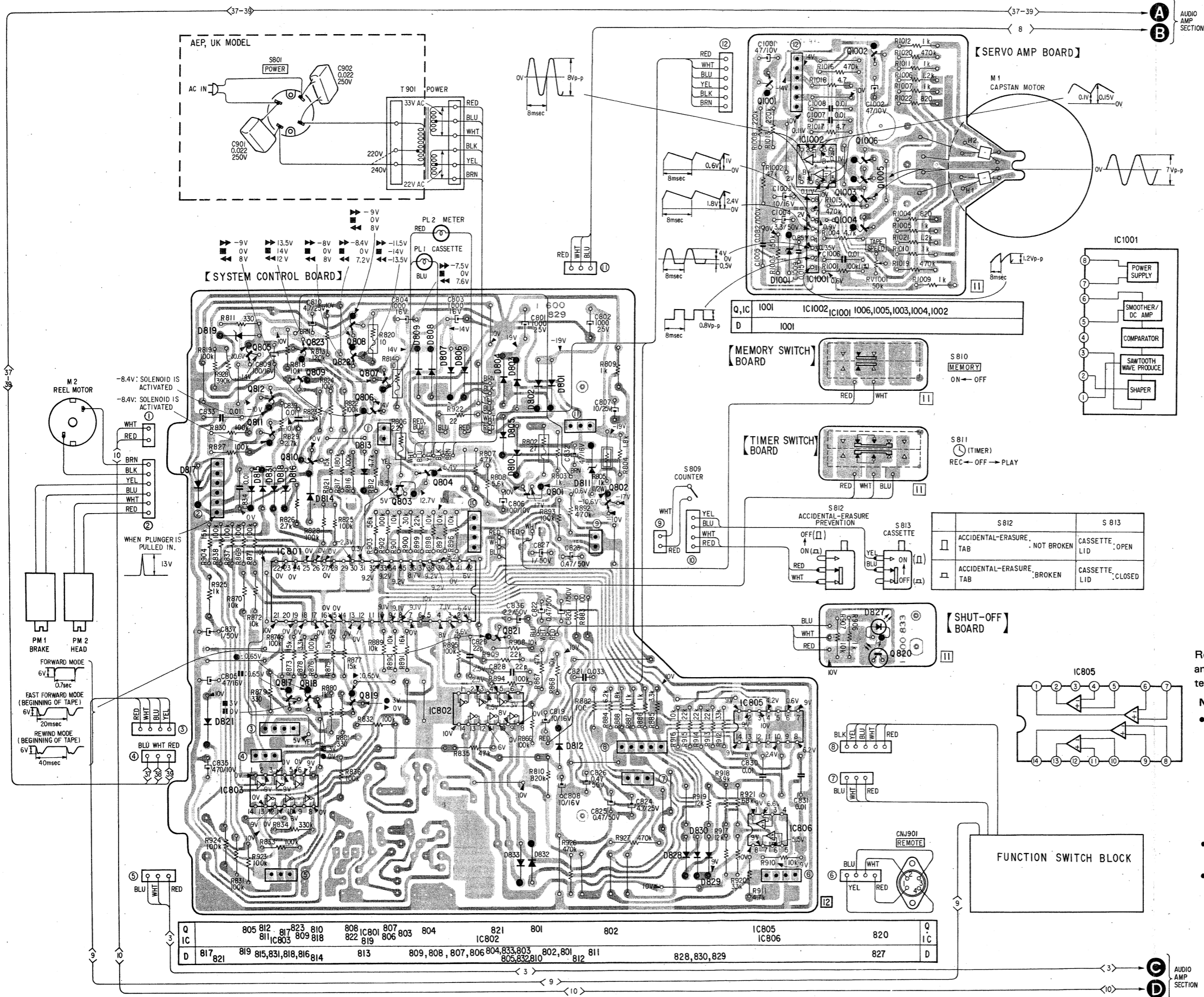
Note: Les composants identifiés par un trame et une marque sont critiques pour la sécurité. Ne les remplacer que par une pièce portant le numéro spécifié.

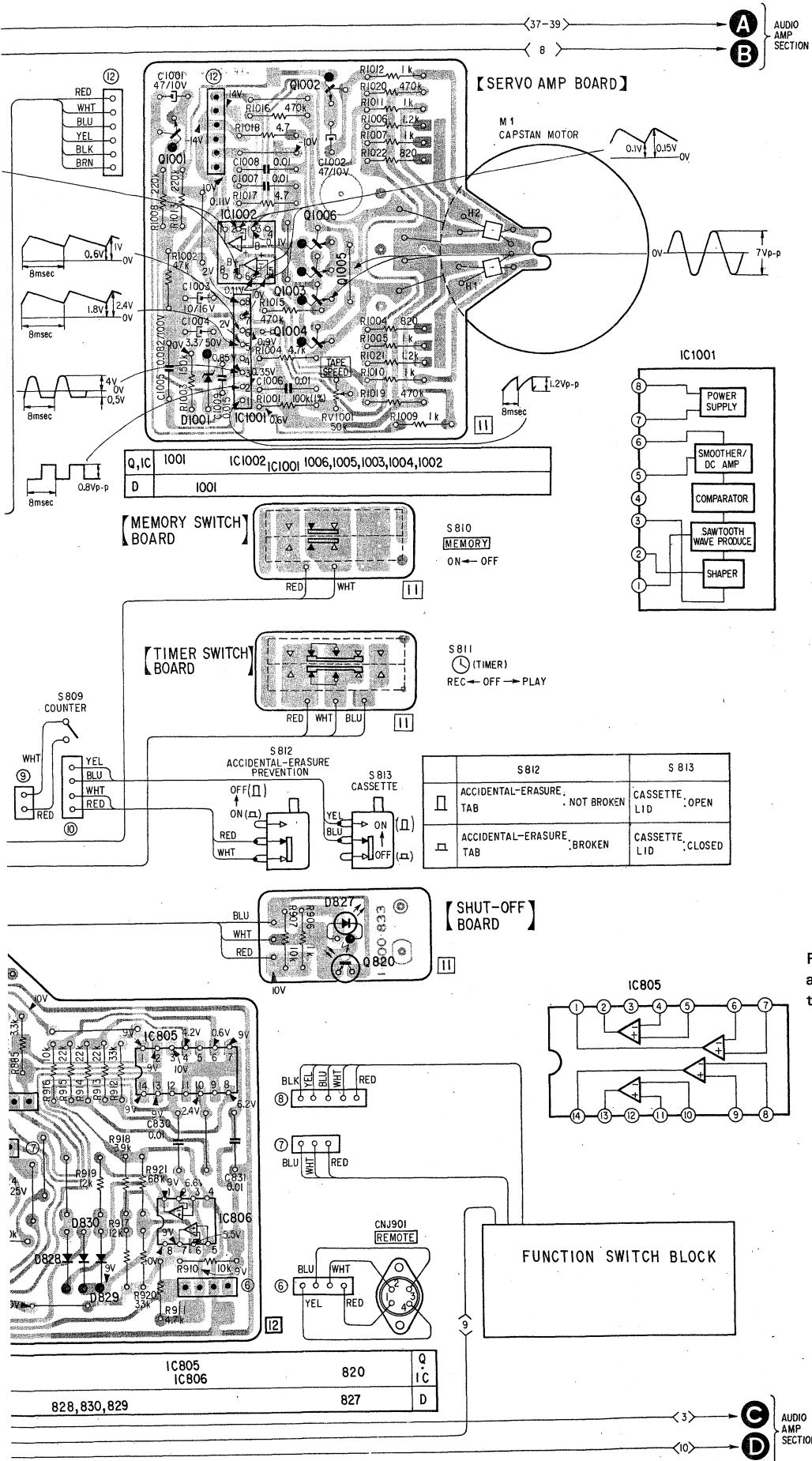


TC-K81 TC-K81





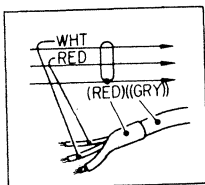




Refer to page 19 for replacement semiconductors and page 25 for voltages and waveforms at the terminal of IC801.

**Note:**

- Color code of sleeving over the end of the jacket.



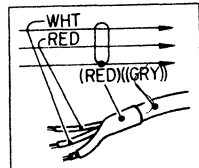
- △ : B+ pattern.
- : B - pattern
- no mark: STOP
- ▶ : FORWARD
- ▶▶ : FAST FORWARD
- ◀ : REWIND
- ◀◀ : RECORD
- : REC MUTE
- : PAUSE
- : STOP

**Voltages and Waveforms at the Terminals of IC801.**

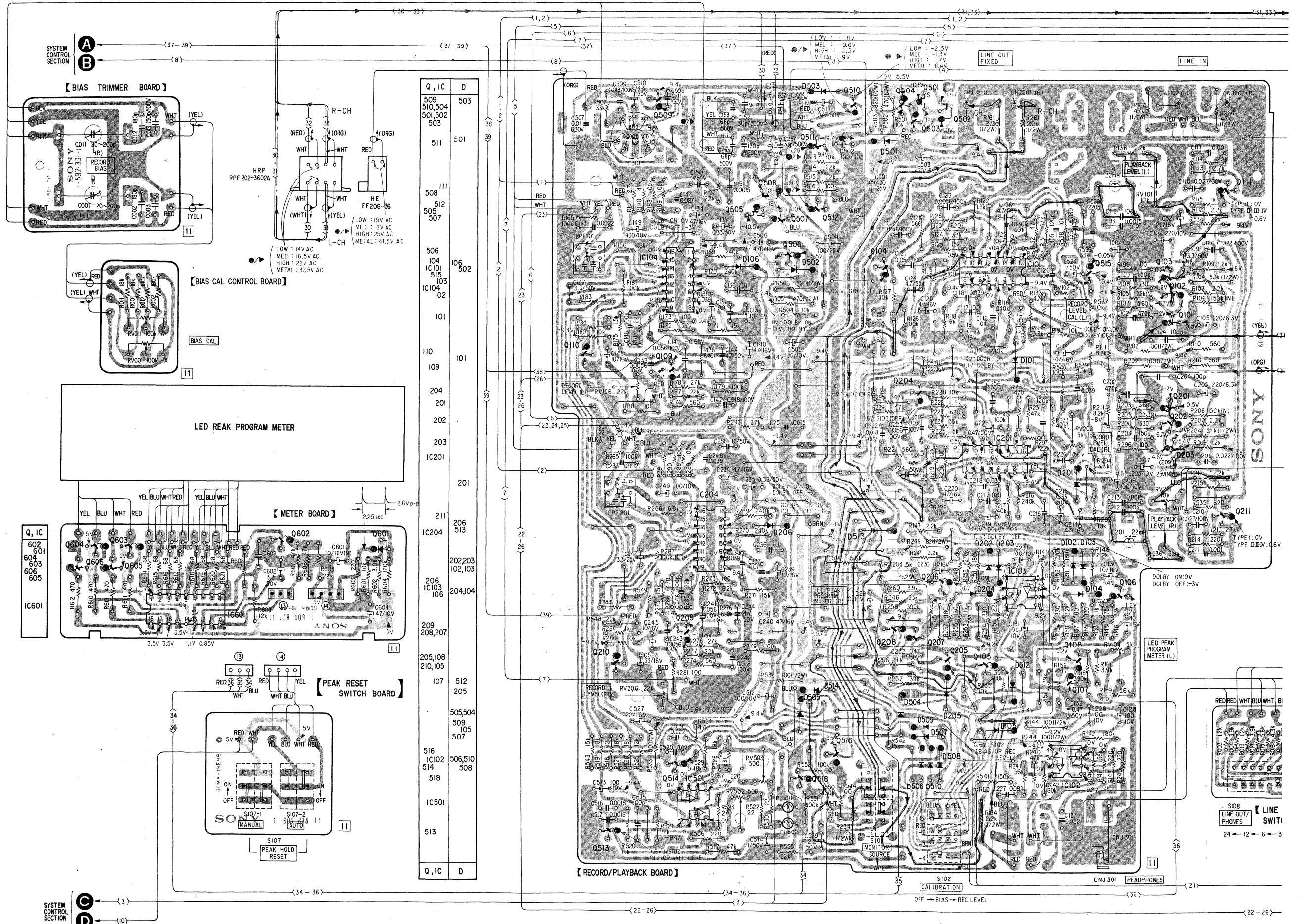
Terminal No.	Waveform or Voltage	Terminal No.	Waveform or Voltage	Terminal No.	Waveform or Voltage
1	10V P-P, 4 μsec	14	Forward Mode: 10V, 0V	29	10 Vdc
2	10V P-P, 0.7 sec	15	Record Mode: 10V, 0V	30	Fast Forward Mode: 10V, 0V
		16	10 Vdc		Fast Forward button is pushed.
3	8V P-P, 8 msec	17	Forward Mode: 10V, 0V, 0.5 sec	31	Rewind Mode: 10V, 0V
				18	Record/Forward Mode: 10V, 0V
4 to 6	10 Vdc	19	Pause Mode: 10V, 0V	32	10 Vdc
				33	0V
7	10V P-P, 2.5 sec	20 to 22	10 Vdc	34	10V, 0V
				23	10V, 0V
8	10V, 0V	24	0 Vdc	35	10V, 0V
				25	10V, 0V, 3.3V, 0.6 sec
9	10V, 0V	26	Fast Forward or Rewind Mode or Record/Forward/Pause Mode: 10V, 0V	36	10V, 0V
10	10V, 0V			Fast Forward button is pushed.	
11	10 Vdc	27	Forward Mode: 10V, 0V	37	10V, 0V
				28	10V, 0V, 0.35 sec
12 13	10V, 0V	28	Forward or Fast Forward or Rewind button is pushed.	38	0V
				39	10V, 0V
12 13	10V, 0V	28	Forward or Fast Forward or Rewind button is pushed.	40	10V
				41	0 Vdc
12 13	10V, 0V	28	Forward or Fast Forward or Rewind button is pushed.	42	4V P-P, 4 μsec
				42	4V P-P, 4 μsec



- Color code of sleeving over the end of the jacket.



- B + pattern
- B - pattern
- Signal path
  - L-CH
  - R-CH
  - Common
- no mark: STOP
- ▶ : FORWARD
- ▶▶ : FAST FORWARD
- ◀ : REWIND
- ◀◀ : RECORD
- : PAUSE
- : STOP



SYSTEM CONTROL SECTION  
A (37-39)  
B (8)

【BIAS TRIMMER BOARD】

【BIAS CAL CONTROL BOARD】

LED PEAK PROGRAM METER

【METER BOARD】

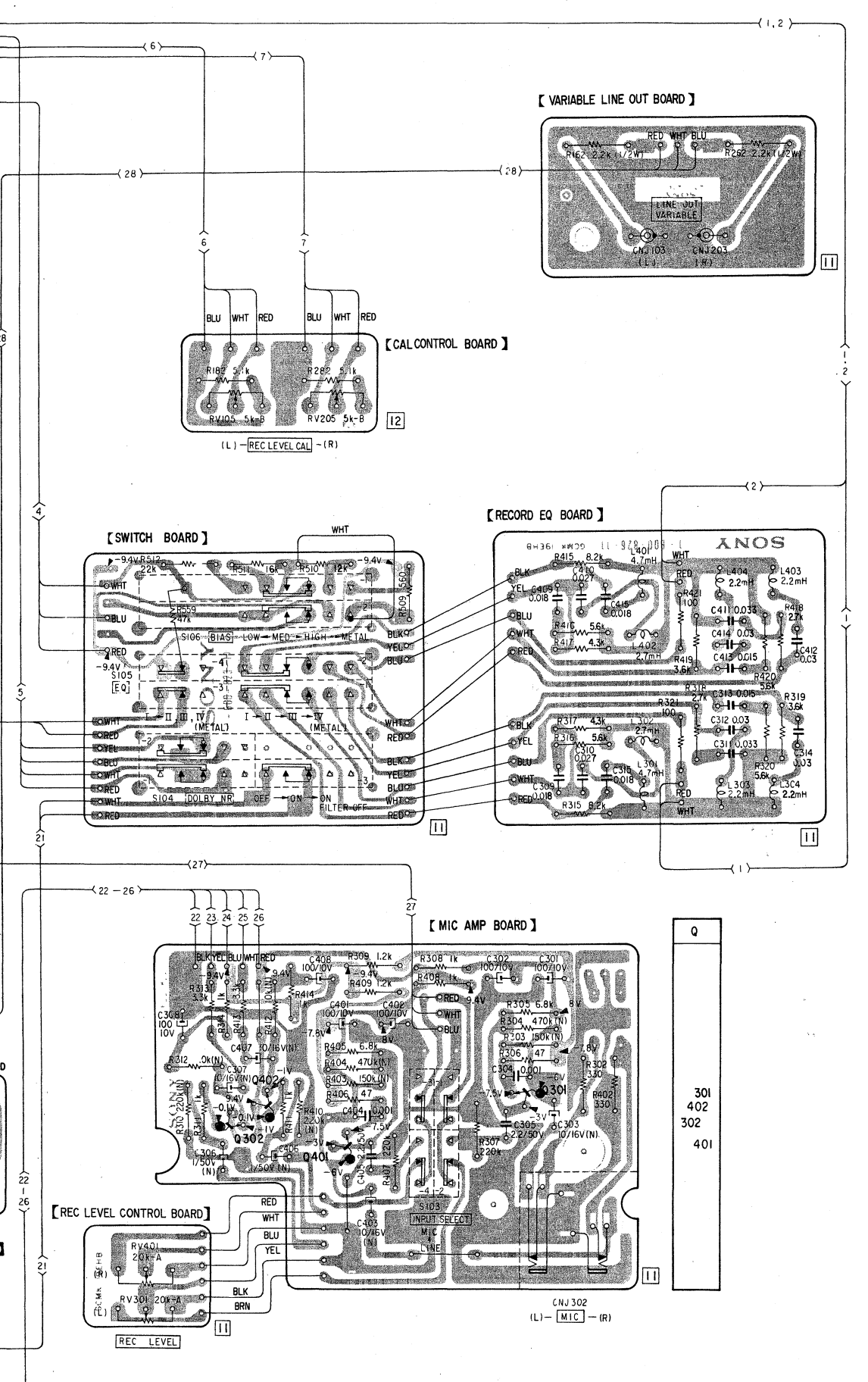
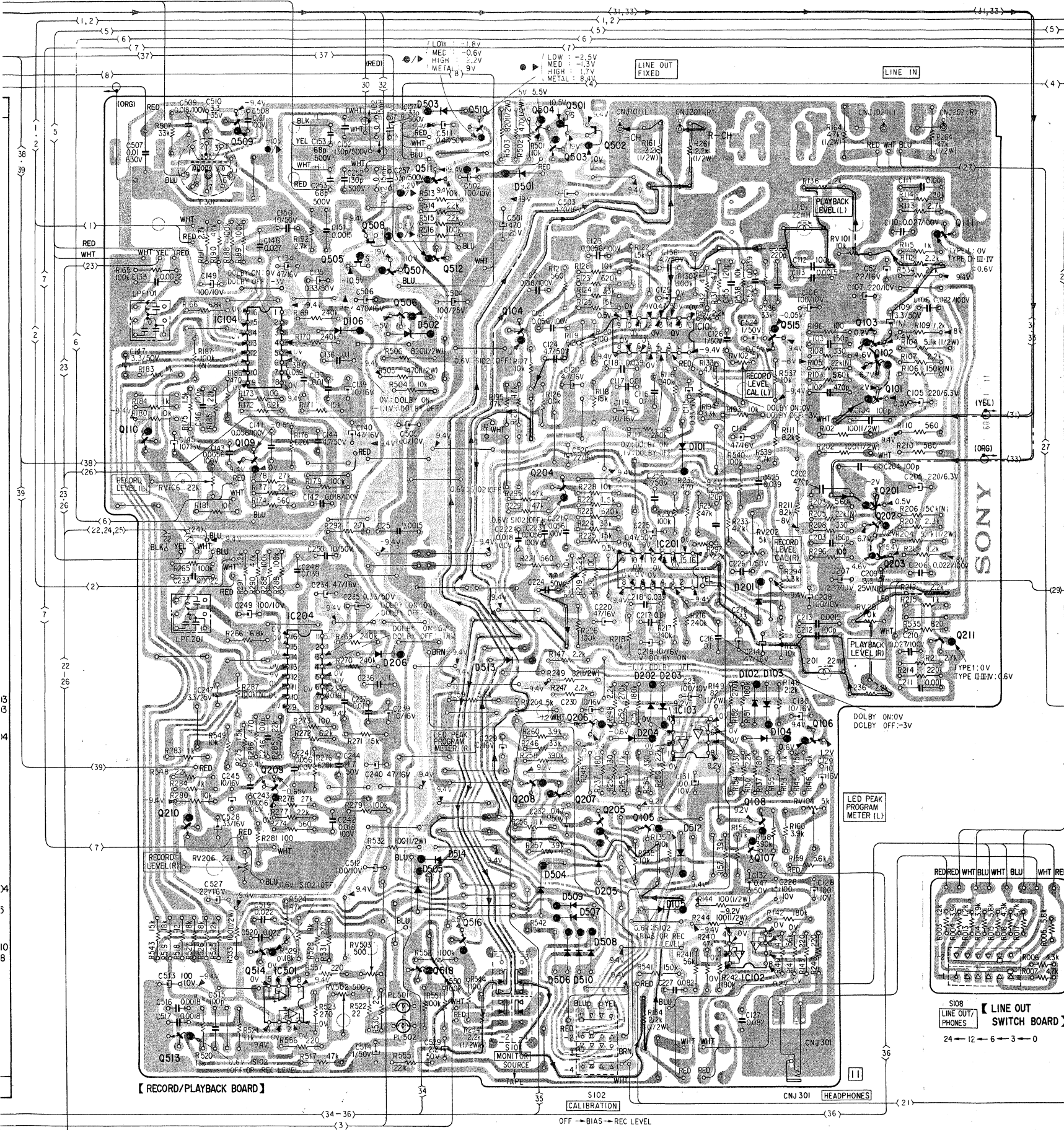
【PEAK RESET SWITCH BOARD】

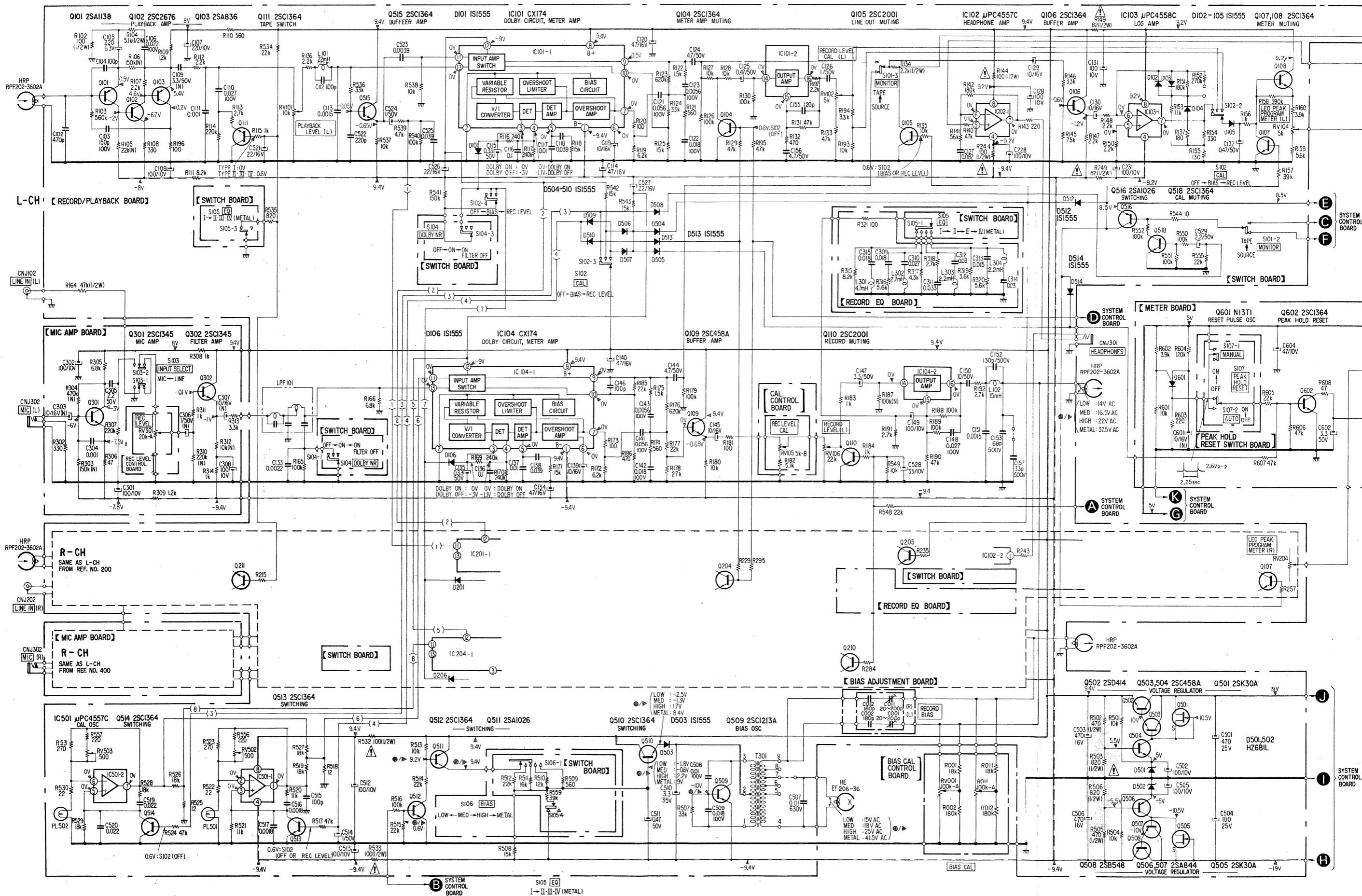
【RECORD/PLAYBACK BOARD】

Q, IC	D
602	503
601	501
604	502
603	501
606	507
605	507
IC601	507

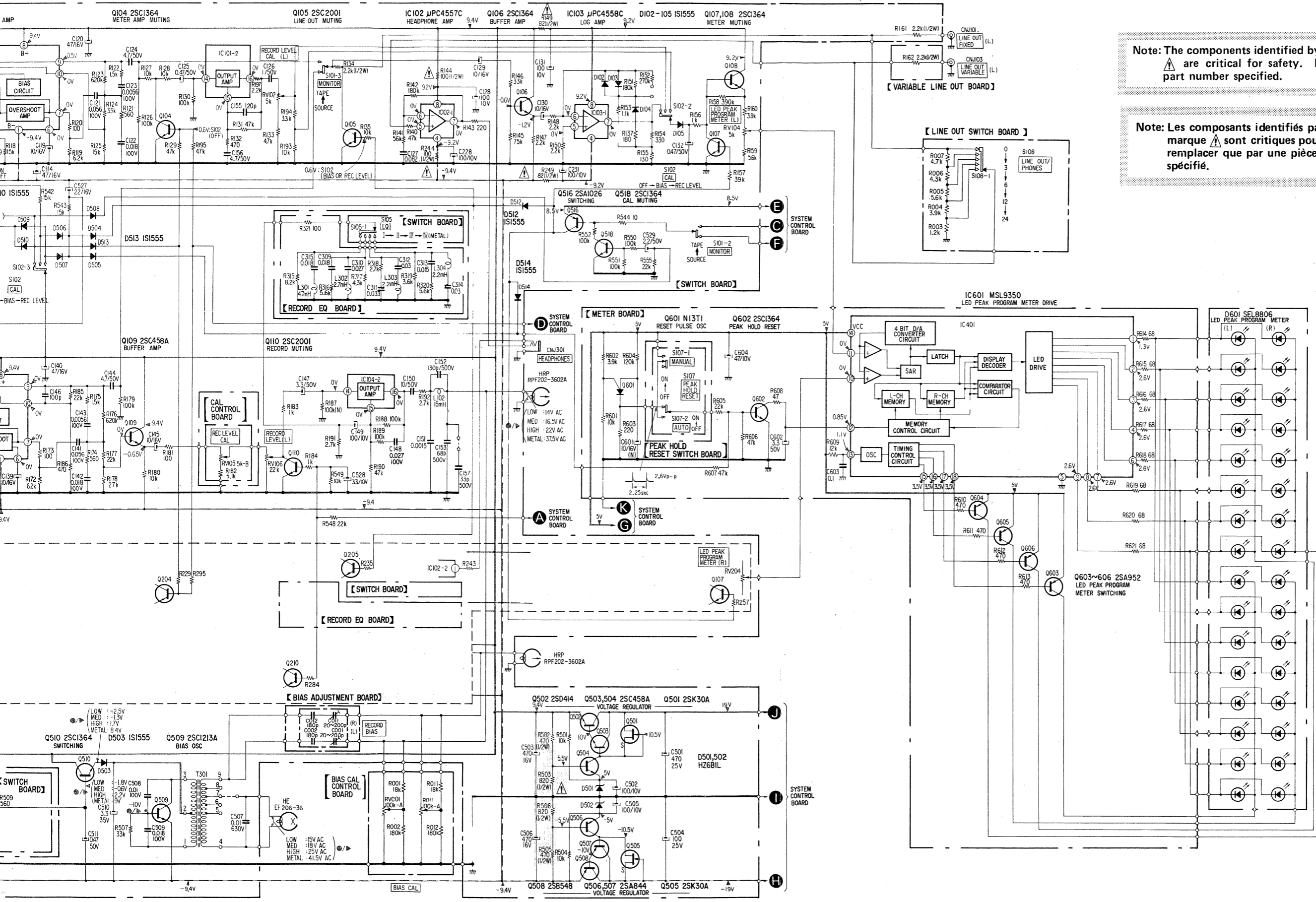
Q, IC	D
509	503
510,504	503
501,502	503
503	503
511	501
508	111
512	507
505	507
507	507
506	506
104	106
IC101	102
515	103
IC104	102
101	101
110	101
109	101
204	201
201	201
202	201
203	201
IC201	201
201	201
211	206
IC204	513
202,203	102,103
206	106
IC103	106
204,104	106
209	208,207
205,108	205,108
210,105	205,108
107	512
205	205
505,504	505,504
509	105
105	507
516	506,510
IC102	508
514	508
518	508
IC501	508
513	513
Q, IC	D




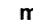








Note: The components identified by shading and mark  are critical for safety. Replace only with part number specified.

Note: Les composants identifiés par une trame et une marque  sont critiques pour la sécurité. Ne les remplacer que par une pièce portant le numéro spécifié.

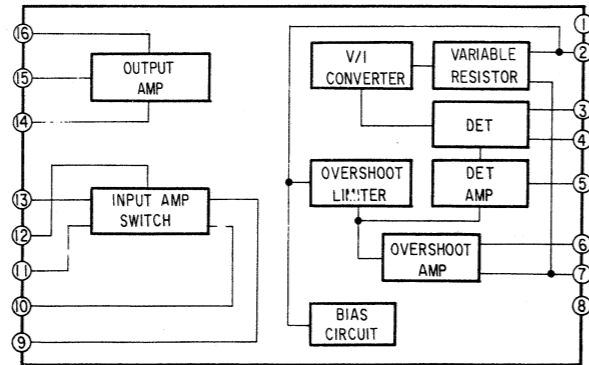
— Audio Amp Section —

Note:

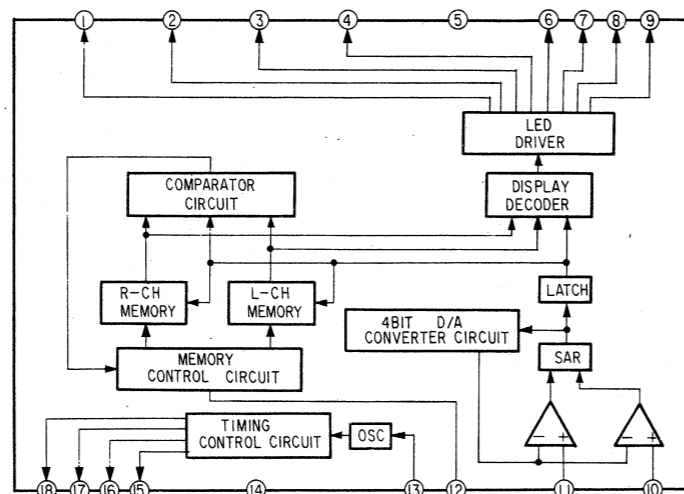
- Components for right channel have same values as for left channel. Reference numbers are coded from 200 and 400.
- All capacitors are in  $\mu\text{F}$  unless otherwise noted.  $\text{pF} = \mu\mu\text{F}$  50WV or less are not indicated except for electrolytics.
- All resistors are in ohms,  $\frac{1}{4}\text{W}$  unless otherwise noted.  $\text{k}\Omega : 1000 \Omega$ ,  $\text{M}\Omega = 1000 \text{k}\Omega$
- : fusible resistor.
- (N) : low-noise.
- : B+ bus.
- : B- bus.
- : panel designation.
- : adjustment for repair.
- Voltages are dc with respect to ground unless otherwise noted.
- Readings are taken under no signal conditions with a VOM (20  $\text{k}\Omega/\text{V}$ ).
- no mark: STOP
- : FORWARD
- : FAST FORWARD
- : REWIND
- : RECORD
- : REC MUTE
- : PAUSE
- : STOP
- AC voltage readings in the bias oscillator circuit are taken with a VTVM.
- Voltage variations may be noted due to normal production tolerances.
- Switch

Ref. No.	Switch	Position
S101-1 to 101-4	MONITOR	TAPE
S102-1 to 101-4	CALIBRATION	OFF
S103-1 to 103-4	INPUT SELECT	LINE
S104-1 to 104-3	DOLBY NR	OFF
S105-1 to 105-4	EQ	I
S106-1, 2	BIAS	MED
S107-1	MANUAL	OFF
S107-2	AUTO	ON

IC101, 104, 201, 204



IC601

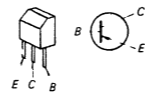


— Audio Amp Section —

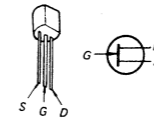
• Replacement Semiconductors

For replacement, use semiconductors except in ( ).

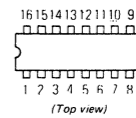
Q101, 201 : 2SA1138



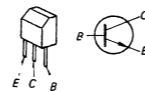
Q501, 505 : 2SK30A



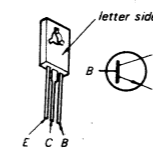
IC101, 201 } : CX174  
IC104, 204 }



Q102, 202 : 2SC2676



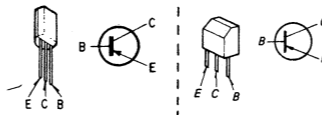
Q502 : 2SD414



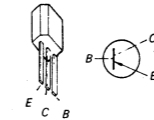
IC102, 202 } :  $\mu\text{PC4557C}$   
IC501  
IC103, 203 :  $\mu\text{PC4558C}$



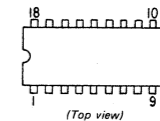
Q103, 203 : 2SA872-E (2SA836)



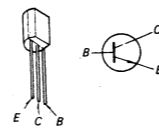
Q506, 507 : 2SA1027R (2SA844)  
Q511, 516 : 2SA1027R (2SA1026)



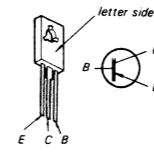
IC601 : MSL9350



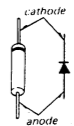
Q104, 204 } : 2SC1364  
Q106-108  
Q206-208  
Q111, 211  
510, 512-515  
518, 602



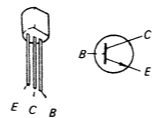
Q508 : 2SB548



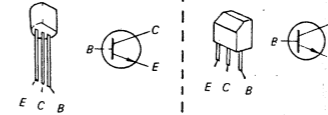
D101-106 } : 1S1555  
201-206  
503-510  
512-514



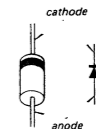
Q105, 205 } : 2SC2001  
Q110, 210  
Q301, 401  
Q302, 402



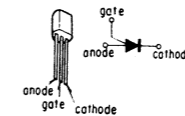
Q509 : 2SC1475 (2SC1213A)



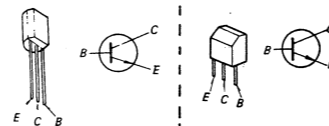
D501, 502 : HZ6B2L (HZ6B1L)



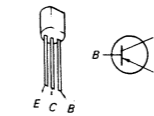
Q601 : N13T1



Q109, 209 } : 2SC1362 (2SC458A)  
Q503, 504 }



Q603-606 : 2SA952



E  
D  
C  
B  
A

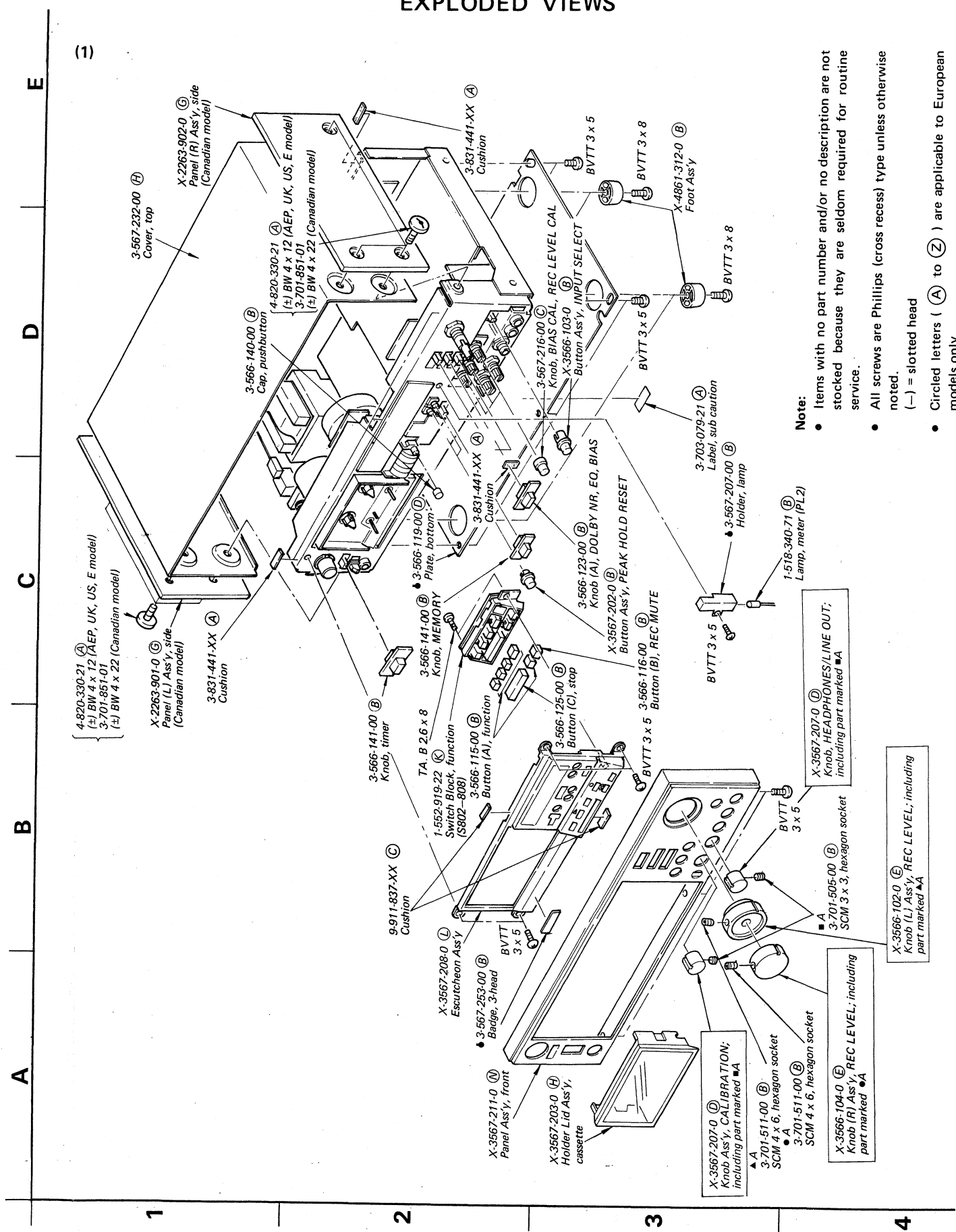
SECTION 5  
EXPLODED VIEWS

— Audio Amp Section —

• Replacement Semiconductors

For replacement, use semiconductors except in ( ).

<p>Q101, 201 : 2SA1138</p>	<p>Q501, 505 : 2SK30A</p>	<p>IC101, 201 IC104, 204 } : CX174</p>
<p>Q102, 202 : 2SC2676</p>	<p>Q502 : 2SD414</p>	<p>IC102, 202 IC501 } : μPC4557C</p> <p>IC103, 203 : μPC4558C</p>
<p>Q103, 203 : 2SA872-E (2SA836)</p>	<p>Q506, 507 : 2SA1027R (2SA844) Q511, 516 : 2SA1027R (2SA1026)</p>	<p>IC601 : MSL9350</p>
<p>Q104, 204 Q106-108 Q206-208 Q111, 211 510, 512-515 518, 602 } : 2SC1364</p>	<p>Q508 : 2SB548</p>	<p>D101-106 201-206 503-510 512-514 } : 1S1555</p>
<p>Q105, 205 Q110, 210 Q301, 401 Q302, 402 } : 2SC2001</p>	<p>Q509 : 2SC1475 (2SC1213A)</p>	<p>D501, 502 : HZ6B2L (HZ6B1L)</p>
<p>Q109, 209 Q503, 504 } : 2SC1362 (2SC458A)</p>	<p>Q601 : N13TI</p>	
	<p>Q603-606 : 2SA952</p>	



Note:

- Items with no part number and/or no description are not stocked because they are seldom required for routine service.
- All screws are Phillips (cross recess) type unless otherwise noted.
- (-) = slotted head
- Circled letters (A) to (Z) are applicable to European models only.



A B C D E

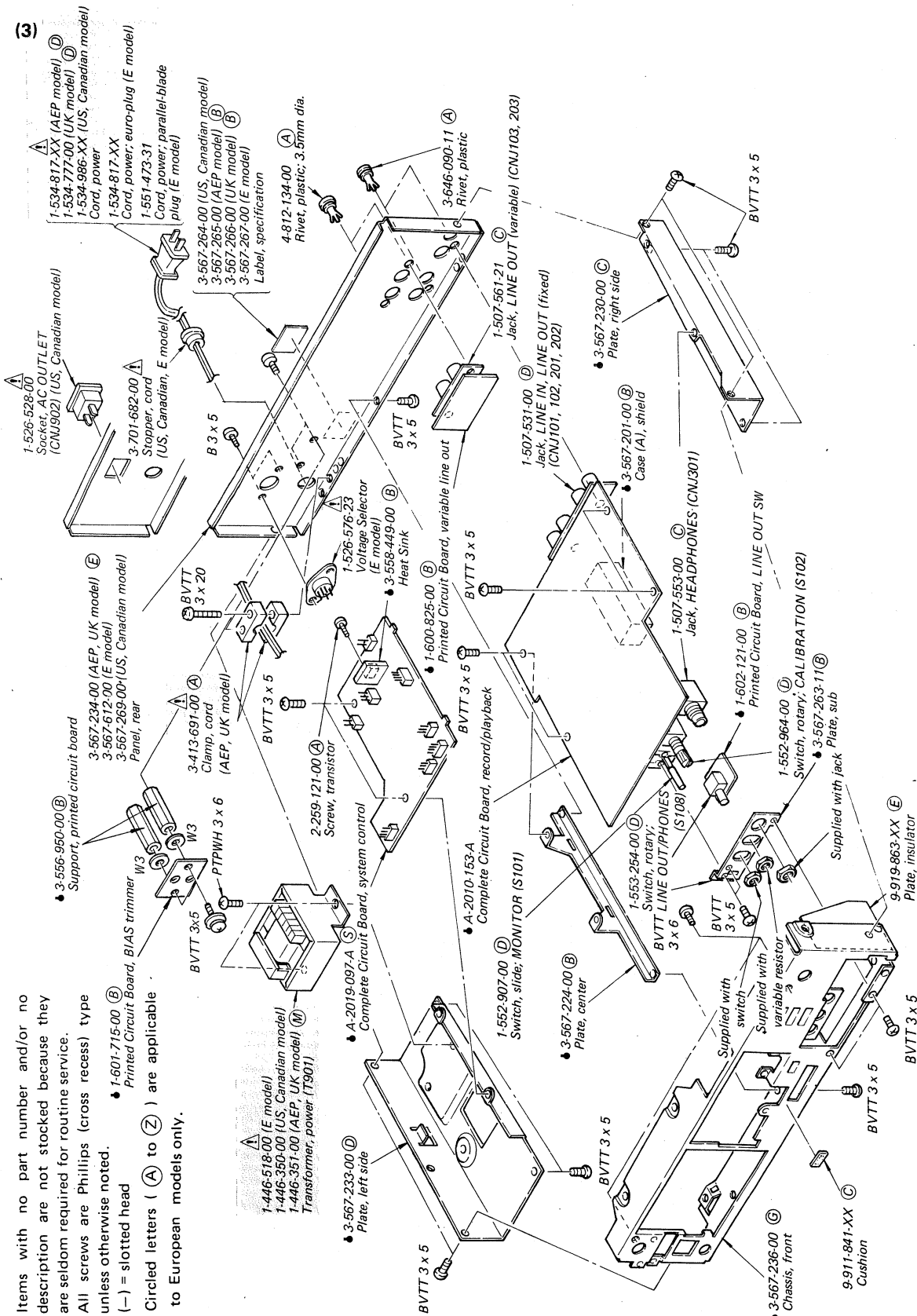
- Items with no part number and/or no description are not stocked because they are seldom required for routine service.
- All screws are Phillips (cross recess) type unless otherwise noted.
- Circled letters (A) to (Z) are applicable to European models only.

1

2

3

4



Note: Les composants identifiés par un trame et une marque **A** sont critiques pour la sécurité. Ne les remplacer que par une pièce portant le numéro spécifié.

Note: The components identified by shading and mark **A** are critical for safety. Replace only with part number specified.







Ref. No.	Part No.	Description
D817	Ⓐ8-719-815-55	Ⓑ 1S1555
D818	8-719-910-23	Ⓑ HZ12A3L
D819	8-719-910-25	Ⓑ HZ12B2L
D821	8-719-200-02	Ⓑ 10E2
D828-831	8-719-815-55	Ⓑ 1S1555
D824	8-719-313-31	Ⓑ SEL1331G
D825	8-719-311-12	Ⓑ SEL1112R
D826	8-719-317-41	Ⓑ SEL1741Y
D827	8-719-101-11	Ⓑ SR110
D832, 833	8-719-815-55	Ⓑ 1S1555
D1001	8-719-910-65	Ⓑ HZ6B2L

**CAPACITORS**

All capacitors are in  $\mu\text{F}$  and ceramic unless otherwise noted. 50WV or less are not indicated except for electrolytics and tantalum. Common capacitors are omitted. Refer to the lists on page 44 and 45 for their part numbers.

C001, 011	1-141-010-XX	Ⓑ Trimmer
C102, 202	1-161-319-00	Ⓐ 470p
C103, 203	1-107-304-00	Ⓑ 150p 100V silvered mica
C106, 206	1-130-305-00	Ⓑ 0.022 100V polyethylene
C109, 209	1-123-231-00	Ⓑ 3.3 50V elect (nonpolarized)
C110, 210	1-130-307-00	Ⓑ 0.027 100V polyethylene
C111, 211	1-161-323-00	Ⓐ 0.001
C115, 215	1-123-286-00	Ⓑ 0.33 50V elect
C121, 221	1-130-341-00	Ⓑ 0.056 100V polyethylene
C122, 222	1-130-340-00	Ⓑ 0.018 100V polyethylene
C123, 223	1-130-339-00	Ⓑ 0.0056 100V polyethylene
C124, 224	1-123-232-00	Ⓑ 4.7 50V elect (nonpolarized)
C126, 226	1-123-228-00	Ⓑ 1 50V elect (nonpolarized)
C135, 235	1-123-286-00	Ⓑ 0.33 50V elect
C141, 241	1-130-341-00	Ⓑ 0.056 100V polyethylene
C142, 242	1-130-340-00	Ⓑ 0.018 100V polyethylene
C143, 243	1-130-339-00	Ⓑ 0.0056 100V polyethylene
C144, 244	1-123-232-00	Ⓑ 4.7 50V elect (nonpolarized)
C147, 247	1-123-231-00	Ⓑ 3.3 50V elect (nonpolarized)
C148, 248	1-130-307-00	Ⓑ 0.027 100V polyethylene
C150, 250	1-123-234-00	Ⓑ 10 50V elect (nonpolarized)
C156, 256	1-123-232-00	Ⓑ 4.7 50V elect (nonpolarized)
C303, 403	1-121-651-00	Ⓐ 10 16V elect

Note: Circled letters (A to Z) are applicable to European models only.

Note: The components identified by shading and mark Ⓐ are critical for safety. Replace only with part number specified.

Ref. No.	Part No.	Description
C304, 404	1-161-323-00	Ⓐ 0.001
C305, 405	1-123-230-00	Ⓑ 2.2 50V elect (nonpolarized)
C306, 406	1-123-228-00	Ⓑ 1 50V elect (nonpolarized)
C507	1-130-338-00	Ⓑ 0.01 630V polyethylene
C508	1-130-297-00	Ⓑ 0.01 100V polyethylene
C509	1-130-303-00	Ⓑ 0.018 100V polyethylene
C522	1-161-315-00	Ⓐ 220p
C530, 531	1-131-450-00	Ⓒ 1 35V tantalum
C601	1-121-651-00	Ⓐ 10 16V elect
C801, 802	Ⓐ1-123-337-00	Ⓑ 1000 25V elect
C803, 804	Ⓐ1-123-324-00	Ⓑ 1000 16V elect
C901	Ⓐ1-130-232-00	Ⓑ 0.22 300V film (UK model)
	Ⓐ1-130-456-00	Ⓒ 0.022 250V film (AEP model)
C1001, 1002	1-123-306-00	Ⓑ 47 10V elect
C1003	1-123-316-00	Ⓑ 10 16V elect
C1004	1-123-354-00	Ⓑ 3.3 50V elect
C1005	1-130-134-00	Ⓑ 0.082 100V polyethylene
	1-130-232-00	Ⓑ 0.22 300V film (UK model)
	1-130-456-00	Ⓒ 0.022 250V film (AEP model)

**RESISTORS**

All resistors are in ohms. Common 1/2W carbon resistors are omitted. Refer to the list on page 46 for their part numbers. k $\Omega$ : 1000  $\Omega$ , M $\Omega$ : 1000 k $\Omega$

R102, 202	1-214-840-00	Ⓑ 100 1/2W metal oxide
R104, 204	1-214-881-00	Ⓑ 5.1k 1/2W metal oxide
R106, 206	1-214-781-00	Ⓐ 150k metal oxide
R112, 212	1-214-737-00	Ⓐ 2.2k metal oxide
R113, 213	1-214-739-00	Ⓐ 2.7k metal oxide
R124, 224	1-214-765-00	Ⓐ 33k metal oxide
R125, 225	1-214-757-00	Ⓐ 15k metal oxide
R134, 234	1-214-872-00	Ⓐ 2.2k 1/2W metal oxide
R136, 236	1-214-737-00	Ⓐ 2.2k metal oxide
R144, 244	Ⓐ1-244-849-00	Ⓐ 100 1/2W carbon
R149, 249	Ⓐ1-244-847-00	Ⓐ 82 1/2W carbon
R161, 261	1-214-872-00	Ⓑ 2.2k 1/2W metal oxide
R162, 262	1-214-872-00	Ⓑ 2.2k 1/2W metal oxide
R164, 264	1-214-905-00	Ⓑ 47k 1/2W metal oxide
R177, 277	1-214-761-00	Ⓐ 22k metal oxide
R178, 278	1-214-763-00	Ⓐ 27k metal oxide
R180, 280	1-214-753-00	Ⓐ 10k metal oxide
R188, 288	1-214-777-00	Ⓐ 100k metal oxide
R189, 289		

Note: Les composants identifiés par une trame et une marque Ⓐ sont critiques pour la sécurité. Ne les remplacer que par une pièce portant le numéro spécifié.

Note: Circled letters (A to Z) are applicable to European models only.

Ref. No.	Part No.	Description
R191, 291	1-214-737-00	Ⓐ 2.2k metal oxide
R192, 292	1-214-739-00	Ⓐ 2.7k metal oxide
R312, 412	1-214-753-00	Ⓐ 10k metal oxide
R313, 413	1-214-741-00	Ⓐ 3.3k metal oxide
R502	Ⓐ1-214-856-00	Ⓑ 470 1/2W metal oxide
R503	Ⓐ1-214-862-00	Ⓑ 820 1/2W metal oxide
R505	Ⓐ1-214-856-00	Ⓑ 470 1/2W metal oxide
R506	Ⓐ1-214-862-00	Ⓑ 820 1/2W metal oxide
R532, 533	Ⓐ1-244-849-00	Ⓐ 100 1/2W carbon
R802	Ⓐ1-212-867-00	Ⓐ 27 1/4W fusible
R805	Ⓐ1-247-240-00	Ⓐ 1k 1/2W carbon (nonflammable)
R806	Ⓐ1-217-379-00	Ⓑ 2.2 1/4W fusible
R814, 820	Ⓐ1-212-857-00	Ⓐ 10 1/4W fusible
R922	Ⓐ1-246-433-00	Ⓐ 22 1/4W carbon
RV001, 011	1-226-721-00	Ⓓ 100k/100k-A, variable; BIAS CAL
RV101, 201	1-224-645-XX	Ⓑ 10k-B, adjustable; playback level
RV102	1-226-235-00	Ⓐ 5k-B, adjustable; level meter
RV104, 204		
RV105, 205	1-226-560-00	Ⓒ 5k-B, variable; REC LEVEL CAL
RV106, 206	1-224-646-XX	Ⓑ 22k-B, adjustable; record level
RV301, 401	1-226-722-00	Ⓔ 20k/20k-A, variable; REC LEVEL
RV502, 503	1-226-232-00	Ⓑ 500-B, adjustable
RV1001	1-226-433-00	Ⓓ 50k-B, adjustable; tape speed

**MISCELLANEOUS**

CP901	Ⓐ 1-231-326-11	Ⓑ Encapsulated Component (US model)
	Ⓐ 1-231-341-00	Ⓒ Spark Killer (Canadian model)
	Ⓐ 1-231-341-00	Ⓒ Encapsulated Component (E model)
CNJ101, 102	1-507-531-00	Ⓒ Jack, LINE IN, LINE OUT (fixed)
CNJ201, 202		
CNJ103, 203	1-507-526-21	Ⓑ Jack, LINE OUT (variable)
CNJ301	1-507-553-00	Ⓒ Jack, HEADPHONES
CNJ302	1-507-525-00	Ⓓ Jack, MIC
CNJ901	1-561-293-00	Ⓓ Socket, 4p; REMOTE
CNJ902	Ⓐ1-526-528-00	Socket, AC OUTLET (US, Canadian model)
HE	8-825-604-00	Ⓕ Head, erase; EF206-36
HRP	8-825-728-00	Ⓐ Combination Head, record/playback; RPF202-3602A
L101, 201	1-407-240-00	Ⓑ 22mH, inductor, variable
L102, 202	1-408-259-00	Ⓑ 15mH, microinductor

Note: The components identified by shading and mark Ⓐ are critical for safety. Replace only with part number specified.

• Items marked "•" are not stocked since they are seldom required for routine service. Some delay should be anticipated when ordering these items.

Ref. No.	Part No.	Description
L301, 401	1-408-253-00	Ⓑ 4.7mH, microinductor
L302, 402	1-408-250-00	Ⓑ 2.7mH, microinductor
L303, 403	1-408-249-00	Ⓑ 2.2mH, microinductor
L304, 404		
LPF101, 201	1-231-388-00	Ⓓ Filter, lowpass
PL1, 2	1-518-340-71	Ⓑ Lamp, cassette; meter
PL101, 201	1-518-386-00	Ⓑ Lamp, meter
PM1	1-454-222-11	Ⓓ Solenoid, brake
PM2	1-454-222-21	Ⓓ Solenoid, head
M1	X-3564-017-0	Ⓐ Motor Ass'y, capstan
M2	X-3564-015-0	Ⓓ Motor Ass'y, reel
S101	1-552-907-00	Ⓓ Switch, slide; MONITOR
S102	1-552-964-00	Ⓓ Switch, rotary; CALIBRATION
S103	1-552-879-00	Ⓒ Switch, pushbutton; INPUT SELECT
S104	1-552-880-00	Ⓒ Switch, slide; DOLBY NR
S105	1-552-878-00	Ⓓ Switch, slide; EQ
S106	1-552-877-00	Ⓒ Switch, slide; BIAS
S107	1-552-876-00	Ⓓ Switch, pushbutton; REAK HOLD RESET
S108	1-553-254-00	Ⓓ Switch, rotary; LINE OUT/PHONES (AEP, E, UK model)
S801	Ⓐ1-552-530-00	Switch, pushbutton; POWER (US, Canadian model)
	Ⓐ1-552-903-00	Ⓓ Switch, pushbutton; POWER (AEP, E, UK model)
S802-808	1-552-919-00	Ⓐ Switch, block; function
S809		Ⓐ included in tape counter
S810, 811	1-552-520-00	Ⓒ Switch, slide; MEMORY, timer
S812, 813	1-552-268-00	Ⓑ Switch, slide, accidental-erasure prevention, cassette
T301	1-433-213-21	Ⓒ Transformer, osc
T901	Ⓐ1-446-350-00	Transformer, power (US, Canadian model)
	Ⓐ1-446-351-00	Ⓓ Transformer, power (AEP, UK model)
	Ⓐ1-446-518-00	Transformer, power (E model)
	• 1-508-878-00	Ⓐ Base Post, MCD Connector
	• 1-508-879-00	Ⓑ Base Post, MCD Connector
	Ⓐ1-526-576-21	Voltage Selector (E model)
	Ⓐ1-534-777-00	Ⓓ Cord, power (UK model)
	Ⓐ1-534-817-XX	Ⓓ Cord, power; euro-plug (AEP, E model)
	Ⓐ1-534-986-XX	Ⓓ Cord, power (US, Canadian model)
	• 1-535-116-00	Ⓐ Terminal with base post 3p
	Ⓐ1-551-473-31	Ⓓ Cord, power; parallel-blade plug (E model)
	• 1-560-060-00	Ⓐ Connector Pin

Note: Les composants identifiés par une trame et une marque Ⓐ sont critiques pour la sécurité. Ne les remplacer que par une pièce portant le numéro spécifié.

Ref. No. Part No. Description

- ♣ 1-560-061-00 (A) Connector Pin
- ♣ 1-560-062-00 (B) Connector Pin
- ♣ 1-560-064-00 (B) Connector Pin
- ♣ 1-561-378-00 (B) Connector Pin 3p
- ♣ 1-561-379-00 (B) Connector Pin 4p
- ♣ 1-561-380-00 (B) Connector Pin 5p

COMPLETE CIRCUIT BOARDS

- ♣ A-2010-153-A Record/Playback
- ♣ A-2019-097-A (S) System Control
- ♣ A-2020-051-A Servo Amp/Mic Amp/Control
- ♣ A-2022-028-A Mic Amp/Control
- ♣ A-2029-039-A (L) Meter

PRINTED CIRCUIT BOARDS

- ♣ 1-600-821-00 (H) Record/Playback
- ♣ 1-600-822-00 (C) Microphone Amp
- ♣ 1-600-823-00 (C) Switch
- ♣ 1-600-824-00 (B) CAL Control
- ♣ 1-600-825-00 (B) Variable Line Out
- ♣ 1-600-826-00 (C) Record EQ
- ♣ 1-600-827-00 (C) Meter
- ♣ 1-600-828-00 (B) Peak Reset Switch
- ♣ 1-600-829-00 (H) System Control
- ♣ 1-600-831-00 (B) Memory Switch
- ♣ 1-600-832-00 (B) Timer Switch
- ♣ 1-600-833-00 (B) Shut-off
- ♣ 1-601-715-00 (B) BIAS Trimmer
- ♣ 1-601-716-00 (B) BIAS CAL Control
- ♣ 1-602-121-00 (B) LINE OUT SW

ACCESSORIES AND PACKING MATERIALS

Part No.	Description
X-3701-105-0	(A) Tip Ass'y, head cleaning
1-551-734-11	(D) Cord, connection; RK-74A
3-561-142-00	Cushion, upper-front (Canadian model)
3-561-143-00	Cushion, upper-rear (Canadian model)
3-561-144-00	Cushion, bottom-right (Canadian model)
3-561-145-00	Cushion, bottom-left (Canadian model)
3-566-148-00	(B) Cushion, upper-front (US, AEP, UK, E model)
3-566-149-00	(B) Cushion, upper-rear (US, AEP, UK, E model)
3-566-150-00	(B) Cushion, bottom-right (US, AEP, UK, E model)
3-566-151-00	(B) Cushion, bottom-left (US, AEP, UK, E model)
3-567-250-00	Carton (E model)
3-701-630-00	(A) Bag, plastic
3-703-157-01	(A) Label, destination
3-783-186-11	Manual, instruction (AEP, UK, E model)
3-783-186-21	Manual, instruction (US model)
3-794-826-31	Manual, instruction (Canadian model)
3-793-481-12	(A) Leaflet
3-793-828-11	(A) Caution Card, cassette
3-794-826-31	Leaflet (Canadian model)
4-860-421-00	(B) Bag, protection

ELECTROLYTIC CAPACITORS

Note: Circled letter (A to Z) are applicable to European models only.

CAP. (μF)	RATING → : Use the high voltage rated one.					
	6.3 VOLT.	10 VOLT.	16 VOLT.	25 VOLT.	35 VOLT.	50 VOLT.
	PART No.	PART No.	PART No.	PART No.	PART No.	PART No.
0.47						1-121-726-00 (A)
1.0						1-121-391-00 (A)
2.2						1-121-450-00 (A)
3.3	→	→	→	1-121-392-00 (A)	→	1-121-393-00 (A)
4.7	→	→	→	1-121-395-00 (A)	→	1-121-396-00 (A)
10	→	→	1-121-651-00 (A)	1-121-398-00 (A)	→	1-121-738-00 (A)
22	→	→	1-121-479-00 (A)	1-121-480-00 (A)	1-121-662-00 (A)	1-121-152-00 (A)
33	→	→	1-121-403-00 (A)	1-121-404-00 (A)	1-121-652-00 (B)	1-121-405-00 (A)
47	→	1-121-352-00 (A)	1-121-409-00 (A)	1-121-410-00 (A)	1-121-653-00 (B)	1-121-411-00 (A)
100	→	1-121-414-00 (A)	1-121-415-00 (A)	1-121-416-00 (A)	1-121-357-00 (B)	1-121-417-00 (B)
220	1-121-419-00 (B)	1-121-420-00 (B)	1-121-421-00 (A)	1-121-422-00 (B)	1-121-261-00 (C)	1-121-423-00 (B)
330	1-121-751-00 (B)	1-121-805-00 (B)	1-121-521-00 (C)	1-121-654-00 (B)	1-121-655-00 (D)	1-121-656-00 (C)
470	1-121-424-00 (B)	1-121-425-00 (C)	1-121-426-00 (C)	1-121-733-00 (B)	1-121-361-00 (E)	1-121-810-00 (D)
1000		1-121-736-00 (C)	1-121-245-00 (D)	1-121-657-00 (D)	1-121-388-00 (E)	1-123-061-00 (F)
2200	1-121-658-00 (B)	1-121-659-00 (C)	1-121-660-00 (D)	1-123-067-00 (F)	1-121-984-00 (F)	
3300	1-121-661-00 (D)	1-123-075-00 (E)	1-123-071-00 (F)			

CAP. (μF)	100 VOLT.	160 VOLT.	250 VOLT.	350 VOLT.
	PART No.	PART No.	PART No.	PART No.
0.47				
1.0	1-123-249-00 (A)	1-123-252-00 (A)	1-123-003-00 (B)	1-121-168-00 (B)
2.2	1-123-250-00 (A)	1-123-026-00 (B)		1-123-028-00 (B)
3.3	1-121-995-00 (A)		1-123-004-00 (B)	1-123-006-00 (C)
4.7	1-123-255-00 (A)	1-121-246-00 (B)	1-121-759-00 (B)	1-123-007-00 (D)
10	1-121-126-00 (B)	1-121-999-00 (B)	1-123-254-00 (C)	1-123-008-00 (D)
22	1-121-996-00 (C)	1-123-253-00 (C)	1-123-005-00 (D)	1-123-022-00 (D)
33	1-121-997-00 (C)	1-121-757-00 (C)		
47	1-123 251-00 (C)	1-121-919-00 (C)		
100	1-123-084-00 (E)			

CERAMIC CAPACITORS (A)

CAP. (pF)	RATING						
	50 VOLT.	CAP. (pF)	50 VOLT.	CAP. (pF)	50 VOLT.	CAP. (pF)	50 VOLT.
	PART No.		PART No.		PART No.		PART No.
0.5	1-101-837-00	22	1-102-959-00	150	1-101-361-00	0.001	1-102-074-00
0.75	1-101-586-00	24	1-102-960-00	160	1-101-367-00	0.0012	1-102-118-00
1.0	1-102-934-00	27	1-102-961-00	180	1-102-976-00	0.0015	1-102-119-00
1.5	1-101-576-00	30	1-102-962-00	200	1-102-977-00	0.0018	1-102-120-00
2.0	1-102-935-00	33	1-102-963-00	220	1-102-978-00	0.0022	1-102-121-00
3	1-102-936-00	36	1-102-964-00	240	1-102-979-00	0.0027	1-102-122-00
4	1-102-937-00	39	1-102-965-00	270	1-102-980-00	0.0033	1-102-123-00
5	1-102-942-00	43	1-102-966-00	300	1-102-981-00	0.0039	1-102-124-00
6	1-102-943-00	47	1-101-880-00	330	1-102-820-00	0.0047	1-102-125-00
7	1-102-944-00	51	1-101-882-00	360	1-102-821-00	0.0056	1-102-126-00
8	1-102-945-00	56	1-101-884-00	390	1-102-822-00	0.0068	1-102-127-00
9	1-102-946-00	62	1-101-886-00	430	1-102-823-00	0.0082	1-102-128-00
10	1-102-947-00	68	1-101-888-00	470	1-102-824-00	0.01	1-102-129-00
11	1-102-948-00	75	1-101-890-00	510	1-101-059-00	0.022	1-101-005-00
12	1-102-949-00	82	1-102-971-00	560	1-102-115-00	0.047	1-101-006-00
13	1-102-950-00	91	1-102-972-00	680	1-102-116-00		
15	1-102-951-00	100	1-102-973-00	820	1-102-117-00		
16	1-102-952-00	110	1-102-815-00				
18	1-102-953-00	120	1-102-816-00				
20	1-102-958-00	130	1-101-081-00				

0.001μF = 1,000pF

CERAMIC (SEMICONDUCTOR) CAPACITORS (A)

CAP. (μF)	RATING → : Use the high voltage rated one.					
	25 VOLT.	50 VOLT.	CAP. (μF)	25 VOLT.	50 VOLT.	
	PART No.	PART No.		PART No.	PART No.	
0.001	→	1-161-039-00	0.018	1-161-016-00	1-161-054-00	
0.0012	→	1-161-040-00	0.022	1-161-017-00	1-161-055-00	
0.0015		1-161-041-00	0.027	1-161-018-00	1-161-056-00	
0.0018		1-161-042-00	0.033	1-161-019-00	1-161-057-00	
0.0022		1-161-043-00	0.039	1-161-010-00	1-161-058-00	
0.0027	→	1-161-044-00	0.047	1-161-021-00	1-161-059-00	
0.0033	→	1-161-045-00	0.056	→	1-161-060-00	
0.0039	→	1-161-046-00	0.068	→	1-161-061-00	
0.0047	→	1-161-047-00	0.082	1-161-024-00	1-161-062-00	
0.0056	→	1-161-048-00	0.1	1-161-025-00	1-161-063-00	
0.0068	→	1-161-049-00				
0.0082	1-161-012-00	1-161-050-00				
0.01	1-161-013-00	1-161-051-00				
0.012	→	1-161-052-00				
0.015	1-161-015-00	1-161-053-00				

Note: Circled letters (A to Z) are applicable to European models only.

• Items marked "♣" are not stocked since they are seldom required for routine service. Some delay should be anticipated when ordering these items.

MYLAR CAPACITORS (A)

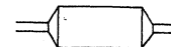
Note: Circled letters (A to Z) are applicable to European models only.

CAP. (μF)	RATING																		
	50 VOLT.			100 VOLT.			200 VOLT.			CAP. (μF)	50 VOLT.			100 VOLT.			200 VOLT.		
	PART No.	PART No.	PART No.	PART No.	PART No.	PART No.	PART No.	PART No.	PART No.		PART No.	PART No.	PART No.	PART No.	PART No.	PART No.	PART No.	PART No.	
0.001	1-108-227-00	1-108-365-00	1-108-409-00	0.01	1-108-239-00	1-108-377-00	1-108-421-00	0.1	1-108-251-00	1-108-389-00	1-108-433-00								
0.0012	1-108-351-00	1-108-366-00	1-108-410-00	0.012	1-108-357-00	1-108-378-00	1-108-422-00	0.12	1-108-363-00	1-108-390-00	1-108-434-00								
0.0015	1-108-228-00	1-108-367-00	1-108-411-00	0.015	1-108-240-00	1-108-379-00	1-108-423-00	0.15	1-108-252-00	1-108-391-00	1-108-435-00								
0.0018	1-108-352-00	1-108-368-00	1-108-412-00	0.018	1-108-358-00	1-108-380-00	1-108-424-00	0.18	1-108-364-00	1-108-392-00	1-108-436-00								
0.0022	1-108-230-00	1-108-369-00	1-108-413-00	0.022	1-108-242-00	1-108-381-00	1-108-425-00	0.22	1-108-254-00	1-108-393-00	1-108-437-00								
0.0027	1-108-353-00	1-108-370-00	1-108-414-00	0.027	1-108-359-00	1-108-382-00	1-108-426-00	0.27	1-108-365-00	1-108-394-00	1-108-438-00								
0.0033	1-108-232-00	1-108-371-00	1-108-415-00	0.033	1-108-244-00	1-108-383-00	1-108-427-00	0.33	1-108-366-00	1-108-395-00	1-108-439-00								
0.0039	1-108-354-00	1-108-372-00	1-108-416-00	0.039	1-108-360-00	1-108-384-00	1-108-428-00	0.39	1-108-367-00	1-108-396-00	1-108-440-00								
0.0047	1-108-234-00	1-108-373-00	1-108-417-00	0.047	1-108-246-00	1-108-385-00	1-108-429-00	0.47	1-108-368-00	1-108-397-00	1-108-441-00								
0.0056	1-108-355-00	1-108-374-00	1-108-418-00	0.056	1-108-361-00	1-108-386-00	1-108-430-00												
0.0068	1-108-237-00	1-108-375-00	1-108-419-00	0.068	1-108-249-00	1-108-387-00	1-108-431-00												
0.0082	1-108-356-00	1-108-376-00	1-108-420-00	0.082	1-108-362-00	1-108-388-00	1-108-432-00												



TANTALUM CAPACITORS

CAP. (μF)	RATING						
	→: Use the high voltage rated one.						
	3.15 VOLT.	6.3 VOLT.	10 VOLT.	16 VOLT.	20 VOLT.	25 VOLT.	35 VOLT.
0.01							1-131-396-00 (B)
0.015							1-131-397-00 (B)
0.022							1-131-398-00 (B)
0.033							1-131-399-00 (B)
0.047							1-131-400-00 (B)
0.068							1-131-401-00 (B)
0.1							1-131-402-00 (B)
0.15							1-131-403-00 (B)
0.22							1-131-404-00 (B)
0.33							1-131-405-00 (B)
0.47							1-131-406-00 (B)
0.68							1-131-407-00 (B)
1.0							1-131-408-00 (B)
1.5							1-131-409-00 (B)
2.2	1-131-424-00 (B)	1-131-421-00 (B)	1-131-418-00 (B)	1-131-415-00 (B)	1-131-412-00 (B)	1-131-410-00 (B)	1-131-406-00 (B)
3.3							1-131-407-00 (B)
4.7	1-131-425-00 (B)	1-131-422-00 (B)	1-131-419-00 (B)	1-131-416-00 (B)	1-131-413-00 (B)	1-131-411-00 (B)	1-131-408-00 (B)
6.8							1-131-409-00 (B)
10	1-131-426-00 (B)	1-131-423-00 (B)	1-131-420-00 (B)	1-131-417-00 (B)	1-131-414-00 (B)	1-131-412-00 (B)	1-131-409-00 (B)
15	1-131-390-00 (B)	1-131-383-00 (B)	1-131-376-00 (B)	1-131-369-00 (B)	1-131-362-00 (B)	1-131-355-00 (B)	1-131-349-00 (B)
22	1-131-391-00 (B)	1-131-384-00 (B)	1-131-377-00 (B)	1-131-370-00 (B)	1-131-363-00 (B)	1-131-356-00 (B)	1-131-350-00 (B)
33	1-131-392-00 (B)	1-131-385-00 (B)	1-131-378-00 (B)	1-131-371-00 (B)	1-131-364-00 (B)	1-131-357-00 (B)	1-131-351-00 (C)
47	1-131-393-00 (C)	1-131-386-00 (C)	1-131-379-00 (C)	1-131-372-00 (B)	1-131-365-00 (C)	1-131-358-00 (C)	1-131-352-00 (C)
68	1-131-394-00 (B)	1-131-387-00 (C)	1-131-380-00 (C)	1-131-373-00 (C)	1-131-366-00 (C)	1-131-359-00 (C)	1-131-353-00 (D)
100	1-131-395-00 (D)	1-131-388-00 (C)	1-131-381-00 (D)	1-131-374-00 (D)	1-131-367-00 (D)	1-131-360-00 (D)	



TANTALUM CAPACITORS

CAP. (μF)	RATING					
	3 VOLT.	6.3 VOLT.	10 VOLT.	16 VOLT.	20 VOLT.	35 VOLT.
	PART No.	PART No.	PART No.	PART No.	PART No.	PART No.
0.033						1-131-273-00 (E)
0.047						1-131-274-00 (E)
0.068						1-131-275-00 (E)
0.1						1-131-276-00 (E)
0.15						1-131-277-00 (E)
0.22						1-131-278-00 (D)
0.33						1-131-279-00 (D)
0.47						1-131-280-00 (D)
0.68						1-131-281-00 (D)
1.0						1-131-282-00 (D)
1.5						1-131-283-00 (D)
2.2						1-131-284-00 (E)
3.3						
4.7						
6.8						
10						
15						
22						
33	1-131-176-00 (D)	1-131-250-00 (D)	1-131-255-00 (D)	1-131-259-00 (D)	1-131-262-00 (D)	1-131-267-00 (D)
47	1-131-288-00 (F)	1-131-251-00 (E)	1-131-171-00 (D)	1-131-256-00 (D)	1-131-263-00 (D)	1-131-268-00 (D)
100	1-131-177-00 (D)	1-131-252-00 (D)	1-131-176-00 (D)	1-131-257-00 (E)	1-131-264-00 (D)	1-131-269-00 (D)
		1-131-253-00 (E)	1-131-177-00 (D)	1-131-258-00 (D)	1-131-265-00 (D)	1-131-270-00 (D)
		1-131-174-00 (D)	1-131-254-00 (D)	1-131-259-00 (D)	1-131-266-00 (D)	1-131-271-00 (E)
			1-131-255-00 (D)	1-131-260-00 (D)	1-131-267-00 (D)	1-131-272-00 (E)
			1-131-256-00 (D)	1-131-261-00 (E)	1-131-268-00 (D)	
			1-131-257-00 (E)		1-131-269-00 (D)	
			1-131-173-00 (C)		1-131-270-00 (D)	
					1-131-271-00 (E)	
					1-131-272-00 (E)	

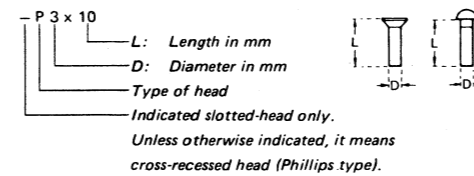
1/4 WATT CARBON RESISTORS <sup>Ⓐ</sup>

Note: Circled letter <sup>Ⓐ</sup> is applicable to European models only.

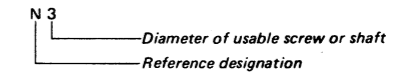
Ω	Part No.	Ω	Part No.	Ω	Part No.	Ω	Part No.	Ω	Part No.	Ω	Part No.	Ω	Part No.
1.0	1-246-401-00	10	1-246-425-00	100	1-246-449-00	1.0k	1-246-473-00	10k	1-246-497-00	100k	1-246-521-00	1.0M	1-246-545-00
1.1	1-246-402-00	11	1-246-426-00	110	1-246-450-00	1.1k	1-246-474-00	11k	1-246-498-00	110k	1-246-522-00	1.1M	1-210-814-00
1.2	1-246-403-00	12	1-246-427-00	120	1-246-451-00	1.2k	1-246-475-00	12k	1-246-499-00	120k	1-246-523-00	1.2M	1-210-815-00
1.3	1-246-404-00	13	1-246-428-00	130	1-246-452-00	1.3k	1-246-476-00	13k	1-246-500-00	130k	1-246-524-00	1.3M	1-210-816-00
1.5	1-246-405-00	15	1-246-429-00	150	1-246-453-00	1.5k	1-246-477-00	15k	1-246-501-00	150k	1-246-525-00	1.5M	1-210-817-00
1.6	1-246-406-00	16	1-246-430-00	160	1-246-454-00	1.6k	1-246-478-00	16k	1-246-502-00	160k	1-246-526-00	1.6M	1-210-818-00
1.8	1-246-407-00	18	1-246-431-00	180	1-246-455-00	1.8k	1-246-479-00	18k	1-246-503-00	180k	1-246-527-00	1.8M	1-210-819-00
2.0	1-246-408-00	20	1-246-432-00	200	1-246-456-00	2.0k	1-246-480-00	20k	1-246-504-00	200k	1-246-528-00	2.0M	1-210-820-00
2.2	1-246-409-00	22	1-246-433-00	220	1-246-457-00	2.2k	1-246-481-00	22k	1-246-505-00	220k	1-246-529-00	2.2M	1-210-821-00
2.4	1-246-410-00	24	1-246-434-00	240	1-246-458-00	2.4k	1-246-482-00	24k	1-246-506-00	240k	1-246-530-00	2.4M	1-244-754-00
2.7	1-246-411-00	27	1-246-435-00	270	1-246-459-00	2.7k	1-246-483-00	27k	1-246-507-00	270k	1-246-531-00	2.7M	1-244-755-00
3.0	1-246-412-00	30	1-246-436-00	300	1-246-460-00	3.0k	1-246-484-00	30k	1-246-508-00	300k	1-246-532-00	3.0M	1-244-756-00
3.3	1-246-413-00	33	1-246-437-00	330	1-246-461-00	3.3k	1-246-485-00	33k	1-246-509-00	330k	1-246-533-00	3.3M	1-244-757-00
3.6	1-246-414-00	36	1-246-438-00	360	1-246-462-00	3.6k	1-246-486-00	36k	1-246-510-00	360k	1-246-534-00	3.6M	1-244-758-00
3.9	1-246-415-00	39	1-246-439-00	390	1-246-463-00	3.9k	1-246-487-00	39k	1-246-511-00	390k	1-246-535-00	3.9M	1-244-759-00
4.3	1-246-416-00	43	1-246-440-00	430	1-246-464-00	4.3k	1-246-488-00	43k	1-246-512-00	430k	1-246-536-00	4.3M	1-244-760-00
4.7	1-246-417-00	47	1-246-441-00	470	1-246-465-00	4.7k	1-246-489-00	47k	1-246-513-00	470k	1-246-537-00	4.7M	1-244-761-00
5.1	1-246-418-00	51	1-246-442-00	510	1-246-466-00	5.1k	1-246-490-00	51k	1-246-514-00	510k	1-246-538-00	5.1M	1-244-762-00
5.6	1-246-419-00	56	1-246-443-00	560	1-246-467-00	5.6k	1-246-491-00	56k	1-246-515-00	560k	1-246-539-00		
6.2	1-246-420-00	62	1-246-444-00	620	1-246-468-00	6.2k	1-246-492-00	62k	1-246-516-00	620k	1-246-540-00		
6.8	1-246-421-00	68	1-246-445-00	680	1-246-469-00	6.8k	1-246-493-00	68k	1-246-517-00	680k	1-246-541-00		
7.5	1-246-422-00	75	1-246-446-00	750	1-246-470-00	7.5k	1-246-494-00	75k	1-246-518-00	750k	1-246-542-00		
8.2	1-246-423-00	82	1-246-447-00	820	1-246-471-00	8.2k	1-246-495-00	82k	1-246-519-00	820k	1-246-543-00		
9.1	1-246-424-00	91	1-246-448-00	910	1-246-472-00	9.1k	1-246-496-00	91k	1-246-520-00	910k	1-246-544-00		

HARDWARE NOMENCLATURE

Screw:



Nut, Washer, Retaining ring:



Reference Designation	Shape	Description	Remarks
<b>SCREWS</b>			
P		pan-head screw	binding-head (B) screw for replacement
PWH		pan-head screw with washer face	binding-head (B) screw and flat washer for replacement
PS PSP		pan-head screw with spring washer	binding-head (B) screw and spring washer for replacement
PSW PSPW		pan-head screw with spring and flat washers	binding-head (B) screw and spring and flat washers for replacement
R		round-head screw	binding-head (B) screw for replacement
K		flat-countersunk-head screw	
RK		oval-countersunk-head screw	
B		binding-head screw	
T		truss-head screw	binding-head (B) screw for replacement
F		flat-fillister-head screw	
RF		fillister-head screw	
BV		brazer-head screw	

Reference Designation	Shape	Description	Remarks
<b>SELF-TAPPING SCREWS</b>			
TA		self-tapping screw	ex: TA, P 3 x 10
PTP		pan-head self-tapping screw	binding-head self-tapping (TA, B) screw for replacement
PTPWH		pan-head self-tapping screw with washer face	binding-head self-tapping (TA, B) screw and flat washer for replacement
PTTWH		pan-head thread-rolling screw with washer face	binding-head (B) screw and flat washer for replacement
<b>SET SCREWS</b>			
SC		set screw	
SC		hexagon-socket set screw	ex: SC 2.6 x 4, hexagon socket
<b>NUT</b>			
N		nut	
<b>WASHERS</b>			
W		flat washer	
SW		spring washer	
LW		internal-tooth lock washer	ex: LW3, internal
LW		external-tooth lock washer	ex: LW3, external
<b>RETAINING RINGS</b>			
E		retaining ring	
G		grip-type retaining ring	

Sony Corporation

© 1980

- 46 -

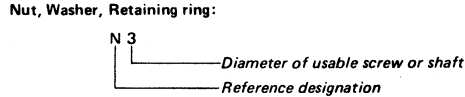
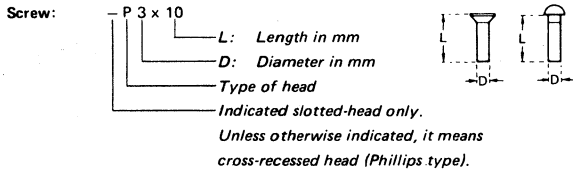


1/4 WATT CARBON RESISTORS <sup>Ⓐ</sup>

Note: Circled letter <sup>Ⓐ</sup> is applicable to European models only.

1.0	1-246-401-00	10	1-246-425-00	100	1-246-449-00	1.0k	1-246-473-00	10k	1-246-497-00	100k	1-246-521-00	1.0M	1-246-545-00
1.1	1-246-402-00	11	1-246-426-00	110	1-246-450-00	1.1k	1-246-474-00	11k	1-246-498-00	110k	1-246-522-00	1.1M	1-210-814-00
1.2	1-246-403-00	12	1-246-427-00	120	1-246-451-00	1.2k	1-246-475-00	12k	1-246-499-00	120k	1-246-523-00	1.2M	1-210-815-00
1.3	1-246-404-00	13	1-246-428-00	130	1-246-452-00	1.3k	1-246-476-00	13k	1-246-500-00	130k	1-246-524-00	1.3M	1-210-816-00
1.5	1-246-405-00	15	1-246-429-00	150	1-246-453-00	1.5k	1-246-477-00	15k	1-246-501-00	150k	1-246-525-00	1.5M	1-210-817-00
1.6	1-246-406-00	16	1-246-430-00	160	1-246-454-00	1.6k	1-246-478-00	16k	1-246-502-00	160k	1-246-526-00	1.6M	1-210-818-00
1.8	1-246-407-00	18	1-246-431-00	180	1-246-455-00	1.8k	1-246-479-00	18k	1-246-503-00	180k	1-246-527-00	1.8M	1-210-819-00
2.0	1-246-408-00	20	1-246-432-00	200	1-246-456-00	2.0k	1-246-480-00	20k	1-246-504-00	200k	1-246-528-00	2.0M	1-210-820-00
2.2	1-246-409-00	22	1-246-433-00	220	1-246-457-00	2.2k	1-246-481-00	22k	1-246-505-00	220k	1-246-529-00	2.2M	1-210-821-00
2.4	1-246-410-00	24	1-246-434-00	240	1-246-458-00	2.4k	1-246-482-00	24k	1-246-506-00	240k	1-246-530-00	2.4M	1-244-754-00
2.7	1-246-411-00	27	1-246-435-00	270	1-246-459-00	2.7k	1-246-483-00	27k	1-246-507-00	270k	1-246-531-00	2.7M	1-244-755-00
3.0	1-246-412-00	30	1-246-436-00	300	1-246-460-00	3.0k	1-246-484-00	30k	1-246-508-00	300k	1-246-532-00	3.0M	1-244-756-00
3.3	1-246-413-00	33	1-246-437-00	330	1-246-461-00	3.3k	1-246-485-00	33k	1-246-509-00	330k	1-246-533-00	3.3M	1-244-757-00
3.6	1-246-414-00	36	1-246-438-00	360	1-246-462-00	3.6k	1-246-486-00	36k	1-246-510-00	360k	1-246-534-00	3.6M	1-244-758-00
3.9	1-246-415-00	39	1-246-439-00	390	1-246-463-00	3.9k	1-246-487-00	39k	1-246-511-00	390k	1-246-535-00	3.9M	1-244-759-00
4.3	1-246-416-00	43	1-246-440-00	430	1-246-464-00	4.3k	1-246-488-00	43k	1-246-512-00	430k	1-246-536-00	4.3M	1-244-760-00
4.7	1-246-417-00	47	1-246-441-00	470	1-246-465-00	4.7k	1-246-489-00	47k	1-246-513-00	470k	1-246-537-00	4.7M	1-244-761-00
5.1	1-246-418-00	51	1-246-442-00	510	1-246-466-00	5.1k	1-246-490-00	51k	1-246-514-00	510k	1-246-538-00	5.1M	1-244-762-00
5.6	1-246-419-00	56	1-246-443-00	560	1-246-467-00	5.6k	1-246-491-00	56k	1-246-515-00	560k	1-246-539-00		
6.2	1-246-420-00	62	1-246-444-00	620	1-246-468-00	6.2k	1-246-492-00	62k	1-246-516-00	620k	1-246-540-00		
6.8	1-246-421-00	68	1-246-445-00	680	1-246-469-00	6.8k	1-246-493-00	68k	1-246-517-00	680k	1-246-541-00		
7.5	1-246-422-00	75	1-246-446-00	750	1-246-470-00	7.5k	1-246-494-00	75k	1-246-518-00	750k	1-246-542-00		
8.2	1-246-423-00	82	1-246-447-00	820	1-246-471-00	8.2k	1-246-495-00	82k	1-246-519-00	820k	1-246-543-00		
9.1	1-246-424-00	91	1-246-448-00	910	1-246-472-00	9.1k	1-246-496-00	91k	1-246-520-00	910k	1-246-544-00		

HARDWARE NOMENCLATURE



Reference Designation	Shape	Description	Remarks
<b>SCREWS</b>			
P		pan-head screw	binding-head (B) screw for replacement
PWH		pan-head screw with washer face	binding-head (B) screw and flat washer for replacement
P <sup>S</sup> PSP		pan-head screw with spring washer	binding-head (B) screw and spring washer for replacement
PSW PSPW		pan-head screw with spring and flat washers	binding-head (B) screw and spring and flat washers for replacement
R		round-head screw	binding-head (B) screw for replacement
K		flat-countersunk-head screw	
RK		oval-countersunk-head screw	
B		binding-head screw	
T		truss-head screw	binding-head (B) screw for replacement
F		flat-fillister-head screw	
RF		fillister-head screw	
BV		braizer-head screw	

Reference Designation	Shape	Description	Remarks
<b>SELF-TAPPING SCREWS</b>			
TA		self-tapping screw	ex: TA, P 3 x 10
PTP		pan-head self-tapping screw	binding-head self-tapping (TA, B) screw for replacement
PTPWH		pan-head self-tapping screw with washer face	binding-head self-tapping (TA, B) screw and flat washer for replacement
PTTWH		pan-head thread-rolling screw with washer face	binding-head (B) screw and flat washer for replacement
<b>SET SCREWS</b>			
SC		set screw	
SC		hexagon-socket set screw	ex: SC 2.6 x 4, hexagon socket
<b>NUT</b>			
N		nut	
<b>WASHERS</b>			
W		flat washer	
SW		spring washer	
LW		internal-tooth lock washer	ex: LW3, internal
LW		external-tooth lock washer	ex: LW3, external
<b>RETAINING RINGS</b>			
E		retaining ring	
G		grip-type retaining ring	

Sony Corporation

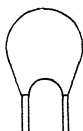
© 1980

- 46 -

MYLAR CAPACITORS (A)

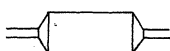
Note: Circled letters (A to Z) are applicable to European models only.

RATING											
CAP. (μF)	50 VOLT.	100 VOLT.	200 VOLT.	CAP. (μF)	50 VOLT.	100 VOLT.	200 VOLT.	CAP. (μF)	50 VOLT.	100 VOLT.	200 VOLT.
	PART No.	PART No.	PART No.		PART No.	PART No.	PART No.		PART No.	PART No.	PART No.
0.001	1-108-227-00	1-108-365-00	1-108-409-00	0.01	1-108-239-00	1-108-377-00	1-108-421-00	0.1	1-108-251-00	1-108-389-00	1-108-433-00
0.0012	1-108-351-00	1-108-366-00	1-108-410-00	0.012	1-108-357-00	1-108-378-00	1-108-422-00	0.12	1-108-363-00	1-108-390-00	1-108-434-00
0.0015	1-108-228-00	1-108-367-00	1-108-411-00	0.015	1-108-240-00	1-108-379-00	1-108-423-00	0.15	1-108-252-00	1-108-391-00	1-108-435-00
0.0018	1-108-352-00	1-108-368-00	1-108-412-00	0.018	1-108-358-00	1-108-380-00	1-108-424-00	0.18	1-108-364-00	1-108-392-00	1-108-436-00
0.0022	1-108-230-00	1-108-369-00	1-108-413-00	0.022	1-108-242-00	1-108-381-00	1-108-425-00	0.22	1-108-254-00	1-108-393-00	1-108-437-00
0.0027	1-108-353-00	1-108-370-00	1-108-414-00	0.027	1-108-359-00	1-108-382-00	1-108-426-00	0.27	1-108-854-00	-	-
0.0033	1-108-232-00	1-108-371-00	1-108-415-00	0.033	1-108-244-00	1-108-383-00	1-108-427-00	0.33	1-108-855-00	-	-
0.0039	1-108-354-00	1-108-372-00	1-108-416-00	0.039	1-108-360-00	1-108-384-00	1-108-428-00	0.39	1-108-856-00	-	-
0.0047	1-108-234-00	1-108-373-00	1-108-417-00	0.047	1-108-246-00	1-108-385-00	1-108-429-00	0.47	1-108-857-00	-	-
0.0056	1-108-355-00	1-108-374-00	1-108-418-00	0.056	1-108-361-00	1-108-386-00	1-108-430-00	-	-	-	-
0.0068	1-108-237-00	1-108-375-00	1-108-419-00	0.068	1-108-249-00	1-108-387-00	1-108-431-00	-	-	-	-
0.0082	1-108-356-00	1-108-376-00	1-108-420-00	0.082	1-108-362-00	1-108-388-00	1-108-432-00	-	-	-	-



TANTALUM CAPACITORS

RATING							
CAP. (μF)	3.15 VOLT.	6.3 VOLT.	10 VOLT.	16 VOLT.	20 VOLT.	25 VOLT.	35 VOLT.
	PART No.	PART No.	PART No.	PART No.	PART No.	PART No.	PART No.
0.01					→	→	1-131-396-00 (B)
0.015					→	→	1-131-397-00 (B)
0.022					→	→	1-131-398-00 (B)
0.033					→	→	1-131-399-00 (B)
0.047					→	→	1-131-400-00 (B)
0.068					→	→	1-131-401-00 (B)
0.1					→	→	1-131-402-00 (B)
0.15					→	→	1-131-403-00 (B)
0.22					→	→	1-131-404-00 (B)
0.33					→	1-131-409-00 (B)	1-131-405-00 (B)
0.47	-	-	-	-	1-131-412-00 (B)	→	1-131-406-00 (B)
0.68	-	-	-	1-131-415-00 (B)	→	1-131-410-00 (B)	1-131-407-00 (B)
1.0	-	-	1-131-418-00 (B)	-	1-131-413-00 (B)	→	1-131-408-00 (B)
1.5	-	1-131-421-00 (B)	-	1-131-416-00 (B)	→	1-131-411-00 (B)	1-131-348-00 (B)
2.2	1-131-424-00 (B)	-	1-131-419-00 (B)	-	1-131-414-00 (B)	1-131-355-00 (B)	1-131-349-00 (B)
3.3	-	1-131-422-00 (B)	-	1-131-417-00 (B)	1-131-362-00 (B)	1-131-356-00 (B)	1-131-350-00 (B)
4.7	1-131-425-00 (B)	-	1-131-420-00 (B)	1-131-369-00 (B)	1-131-363-00 (B)	1-131-357-00 (B)	1-131-351-00 (C)
6.8	-	1-131-423-00 (B)	1-131-376-00 (B)	1-131-370-00 (B)	1-131-364-00 (B)	1-131-358-00 (C)	1-131-352-00 (C)
10	1-131-426-00 (B)	1-131-383-00 (B)	1-131-377-00 (B)	1-131-371-00 (B)	1-131-365-00 (C)	1-131-359-00 (C)	1-131-353-00 (D)
15	1-131-390-00 (B)	1-131-384-00 (B)	1-131-378-00 (B)	1-131-372-00 (B)	1-131-366-00 (C)	1-131-360-00 (D)	-
22	1-131-391-00 (B)	1-131-385-00 (B)	1-131-379-00 (C)	1-131-373-00 (C)	1-131-367-00 (D)	-	-
33	1-131-392-00 (B)	1-131-386-00 (C)	1-131-380-00 (C)	1-131-374-00 (D)	-	-	-
47	1-131-393-00 (C)	1-131-387-00 (C)	1-131-381-00 (D)	-	-	-	-
68	1-131-394-00 (B)	1-131-388-00 (C)	-	-	-	-	-
100	1-131-395-00 (D)	-	-	-	-	-	-



TANTALUM CAPACITORS

RATING						
CAP. (μF)	3 VOLT.	6.3 VOLT.	10 VOLT.	16 VOLT.	20 VOLT.	35 VOLT.
	PART No.	PART No.	PART No.	PART No.	PART No.	PART No.
0.033						1-131-273-00 (E)
0.047						1-131-274-00 (E)
0.068						1-131-275-00 (E)
0.1						1-131-276-00 (D)
0.15						1-131-277-00 (D)
0.22			-	-	1-131-262-00 (D)	1-131-278-00 (D)
0.33			-	-	1-131-263-00 (D)	1-131-279-00 (D)
0.47			1-131-169-00 (D)	-	1-131-264-00 (D)	1-131-280-00 (D)
0.68			-	1-131-258-00 (D)	1-131-265-00 (D)	1-131-281-00 (D)
1.0			1-131-254-00 (D)	-	1-131-266-00 (D)	1-131-282-00 (D)
1.5		1-131-250-00 (D)	-	-	1-131-267-00 (D)	1-131-283-00 (E)
2.2		-	-	1-131-259-00 (D)	1-131-268-00 (D)	1-131-284-00 (E)
3.3		-	1-131-255-00 (D)	-	1-131-269-00 (D)	-
4.7		1-131-251-00 (E)	1-131-171-00 (D)	-	1-131-270-00 (D)	-
6.8		-	-	1-131-260-00 (D)	1-131-271-00 (E)	-
10	-	-	1-131-256-00 (D)	-	1-131-272-00 (E)	-
15	-	1-131-252-00 (D)	-	1-131-261-00 (E)	-	-
22	-	-	1-131-257-00 (E)	-	-	-
33	1-131-176-00 (D)	1-131-253-00 (E)	1-131-173-00 (C)	-	-	-
47	1-131-288-00 (E)	1-131-174-00 (D)	-	-	-	-
100	1-131-177-00 (D)	-	-	-	-	-



# STEREO CASSETTE DECK

# TC-K81

## SUPPLEMENT

File this supplement with the service manual.  
Add the record head azimuth adjustment as shown page 2.

*US Model*  
*Canadian Model*  
*AEP Model*  
*UK Model*  
*E Model*

No. 1  
September, 1980

Correction  
— Page 13 —

Incorrect	Correct
Record/playback Head Azimuth Adjustment	Playback Head Azimuth Adjustment

**SONY**<sup>®</sup>  
**SERVICE MANUAL**

402

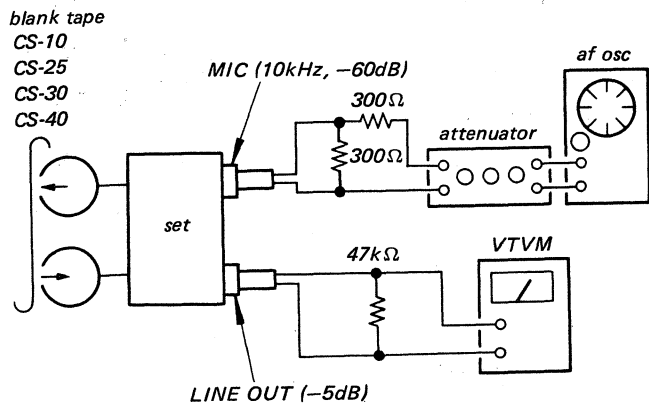
## Record Head Azimuth Adjustment

### Setting:

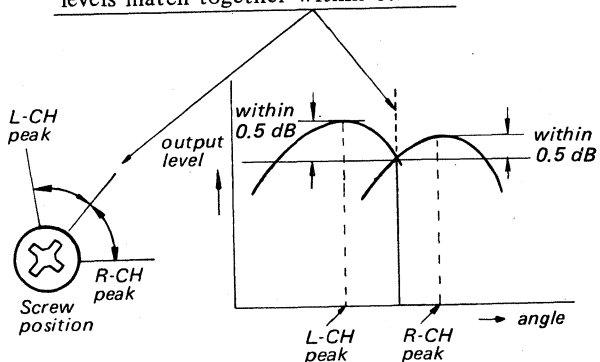
MONITOR switch: TAPE

### Procedure:

1. Mode: record



2. Turn the adjustment screw for the maximum output levels. If these levels do not match, turn the adjustment screw where both of output levels match together within 0.5 dB.



3. Phase Check  
Mode: record

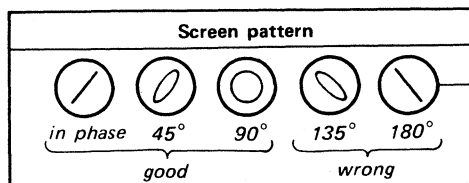
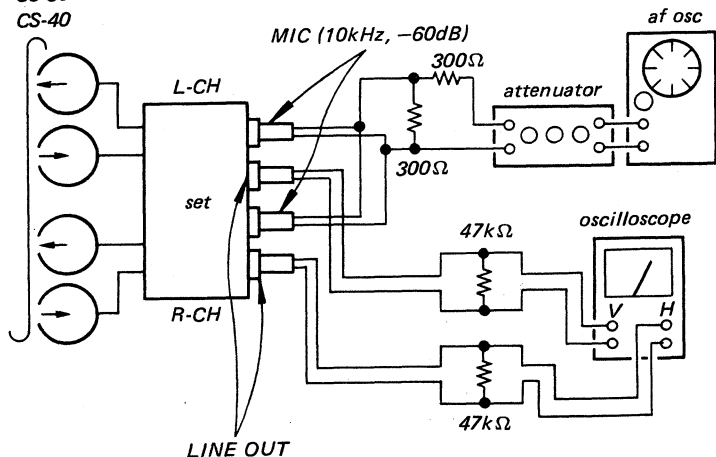
blank tape

CS-10

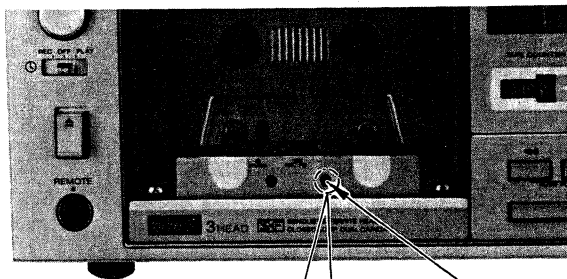
CS-25

CS-30

CS-40



### Adjustment Location:



adjustment screw

